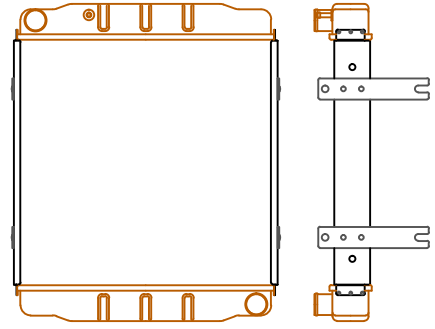

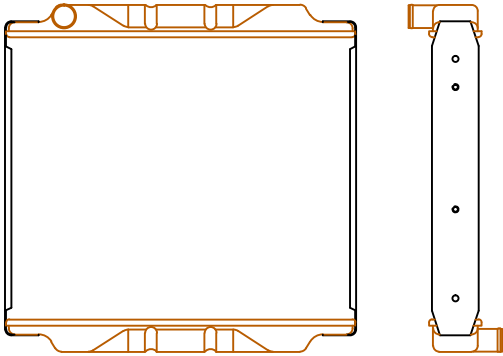

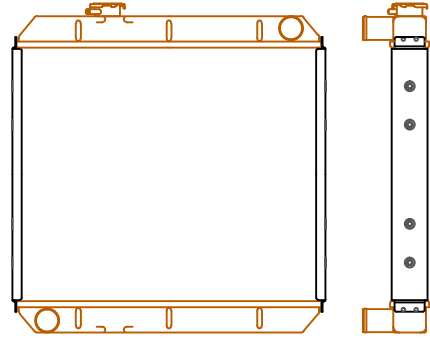
 Clancy Radiators Ltd.	REF No:	JC001
	MODEL No:	A-537-135
	CORE SIZE	570 x 560
	CORE FORM	5 Row x 8 F.P.I.




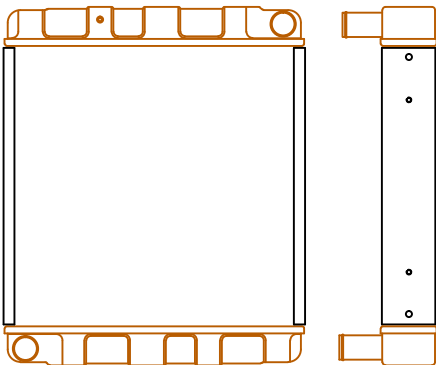
 Clancy Radiators Ltd.	REF No:	JC002
	MODEL No:	A-923/02500
	CORE SIZE	445 x 460
	CORE FORM	3 Row x 8 F.P.I.




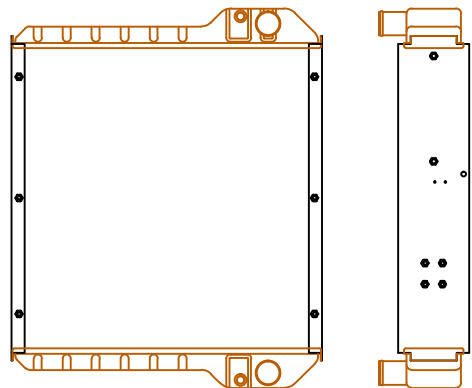
 Clancy Radiators Ltd.	REF No:	JC003
	MODEL No:	A-30/912000
	CORE SIZE	To be Developed
	CORE FORM	To be Developed




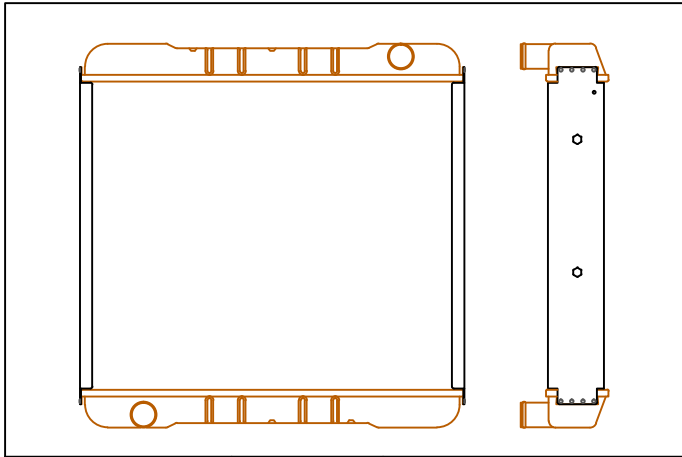
 Clancy Radiators Ltd.	REF No:	JC004
	MODEL No:	A-CTJ6381
	CORE SIZE	425 x 496
	CORE FORM	3 Row x 7 F.P.I.




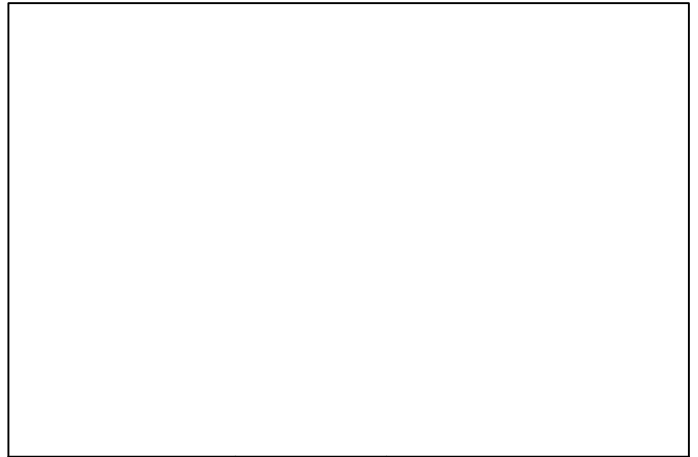
 Clancy Radiators Ltd.	REF No:	JC005
	MODEL No:	A-3CX TURBO
	CORE SIZE	To be Developed
	CORE FORM	To be Developed




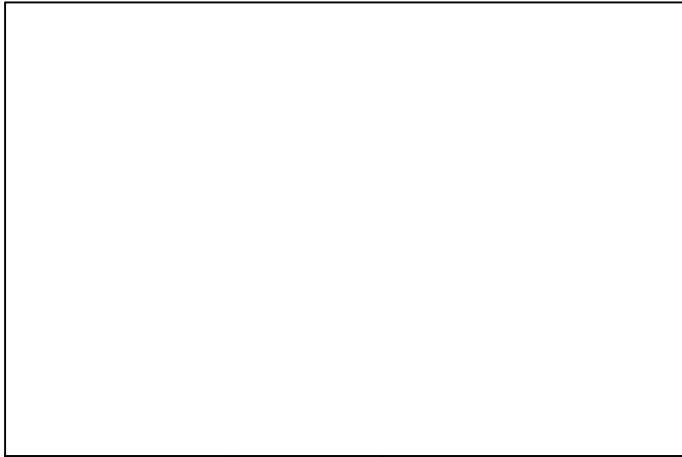
 Clancy Radiators Ltd.	REF No:	JC006
	MODEL No:	A-30/925452
	CORE SIZE	570 x 560
	CORE FORM	5 Row x 8 F.P.I.




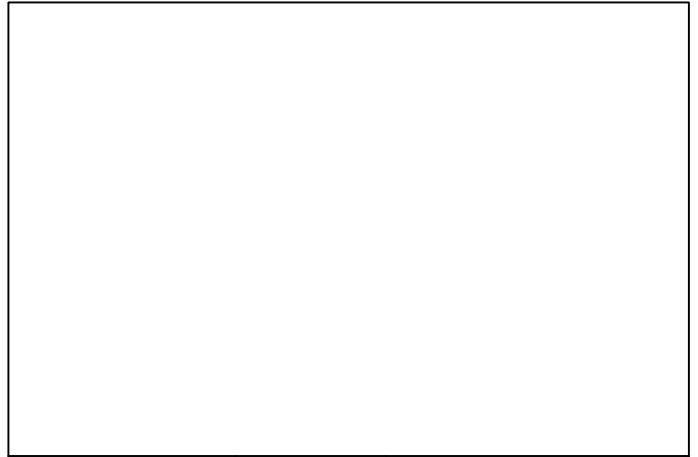
	REF No:	JC007
	MODEL No:	A-30/917300
	CORE SIZE	476 x 570
	CORE FORM	4 Row x8 F.P.I.




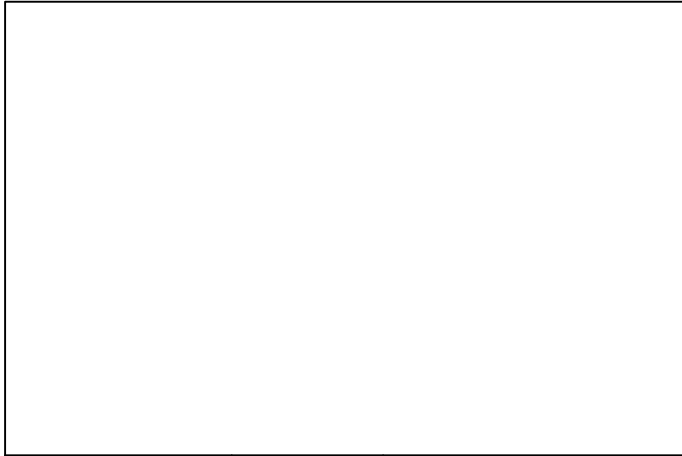
	REF No:	JC008
	MODEL No:	A-30/925377
	CORE SIZE	To be Developed
	CORE FORM	To be Developed




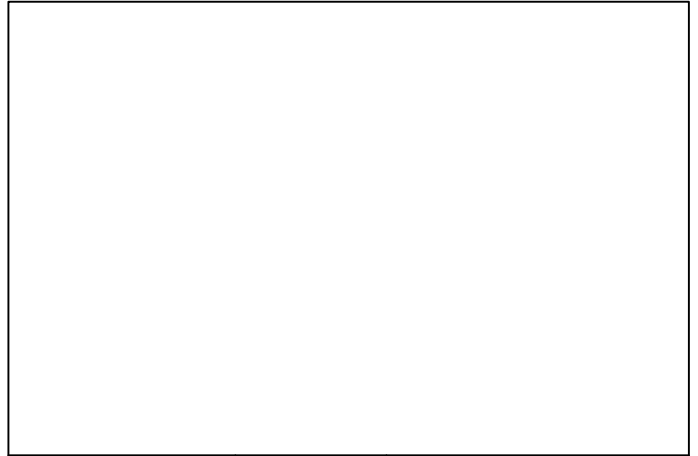
	REF No:	JC009
	MODEL No:	A-923/04600
	CORE SIZE	To be Developed
	CORE FORM	To be Developed




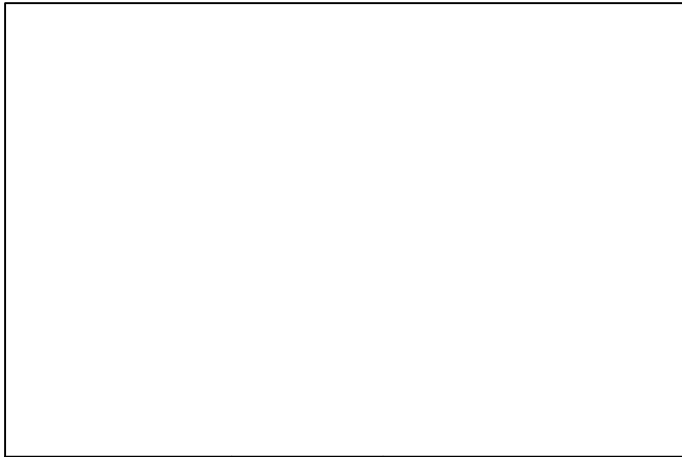
	REF No:	JC010
	MODEL No:	A-923/02900
	CORE SIZE	To be Developed
	CORE FORM	To be Developed




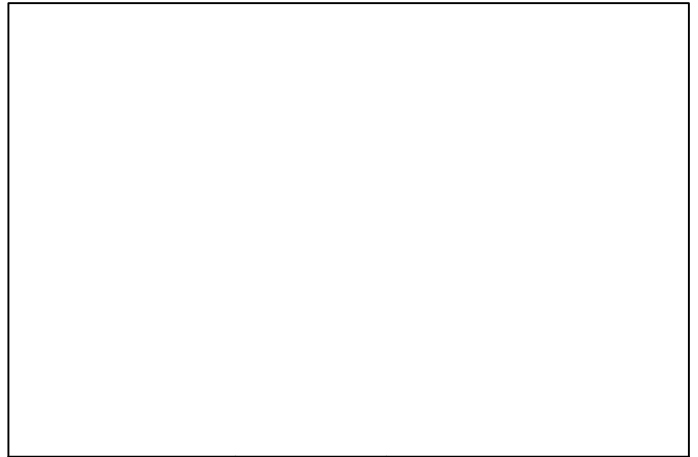
	REF No:	JC011
	MODEL No:	A-923/00400
	CORE SIZE	To be Developed
	CORE FORM	To be Developed




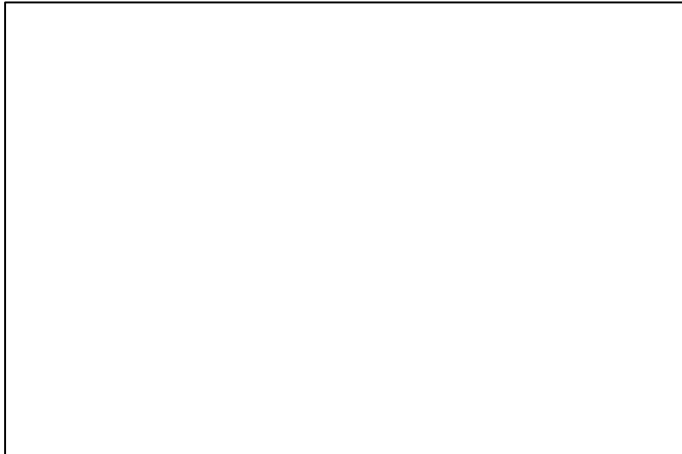
	REF No:	JC012
	MODEL No:	A-923/00900
	CORE SIZE	To be Developed
	CORE FORM	To be Developed




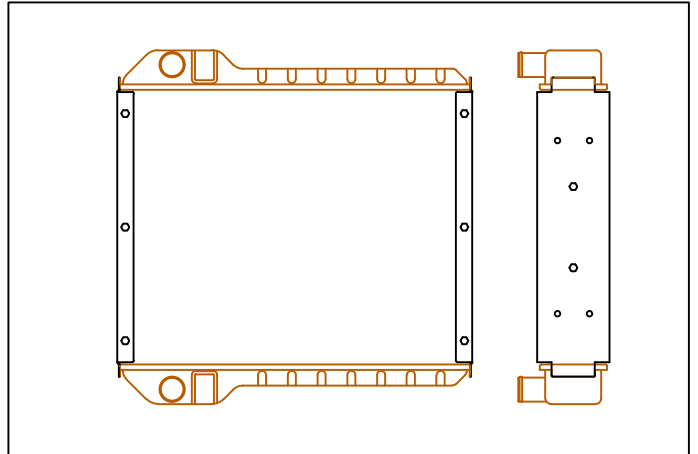
	REF No:	JC013
	MODEL No:	A-30/920300
	CORE SIZE	To be Developed
	CORE FORM	To be Developed




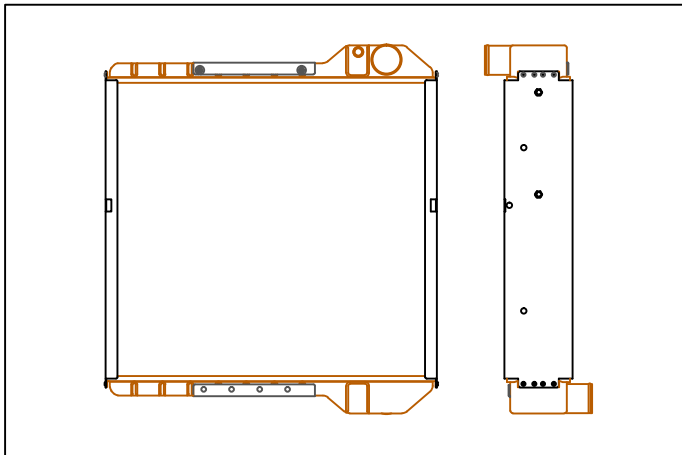
	REF No:	JC014
	MODEL No:	A-30/915200
	CORE SIZE	To be Developed
	CORE FORM	To be Developed




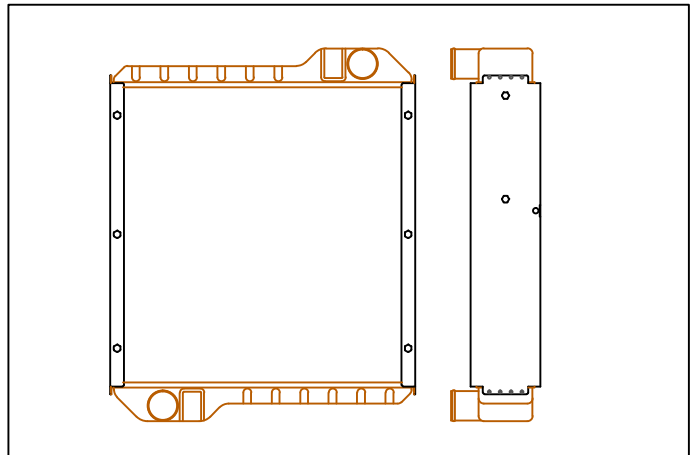
	REF No:	JC015
	MODEL No:	A-FARM MASTER
	CORE SIZE	To be Developed
	CORE FORM	To be Developed




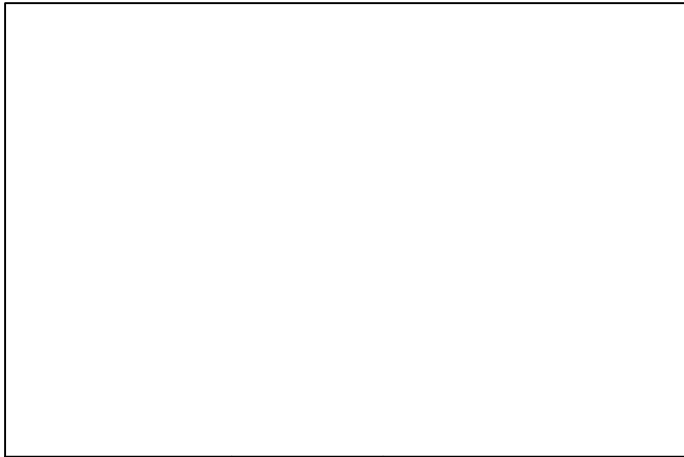
	REF No:	JC016
	MODEL No:	A-
	CORE SIZE	508 x 608
	CORE FORM	5 Row x 8 F.P.I.




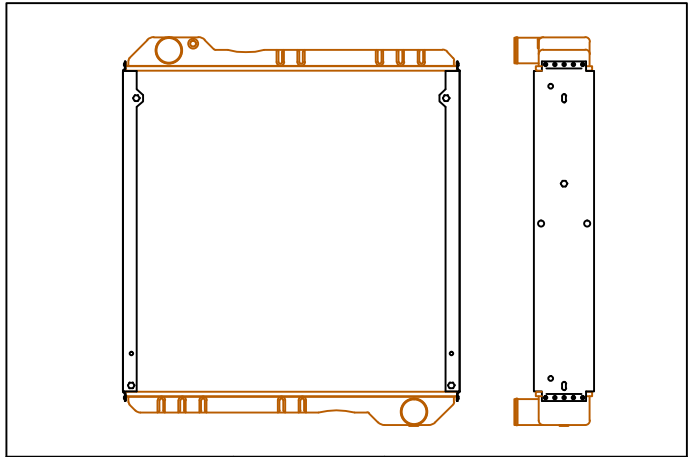
	REF No:	JC017
	MODEL No:	A-30/925394
	CORE SIZE	576 x 645
	CORE FORM	6 Rows x 8 F.P.I.




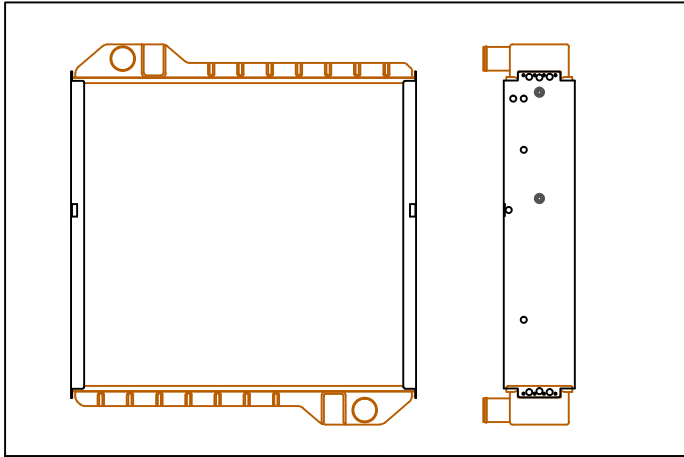
	REF No:	JC018
	MODEL No:	A-30/925545
	CORE SIZE	570 x 560
	CORE FORM	5 Row x 8 F.P.I.




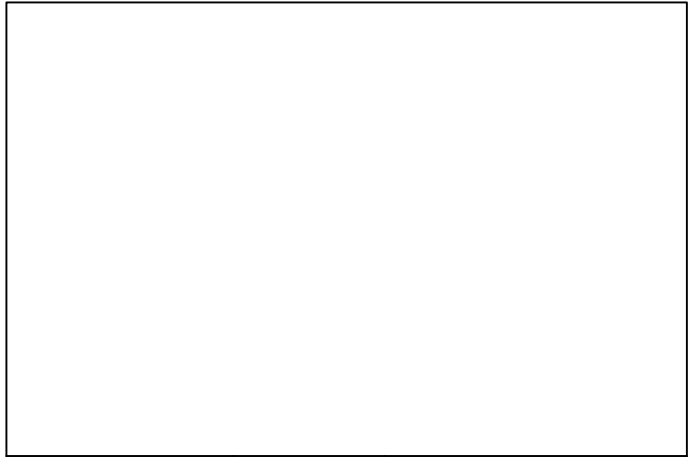
	REF No:	JC019
	MODEL No:	A-128/13406
	CORE SIZE	To be Developed
	CORE FORM	To be Developed




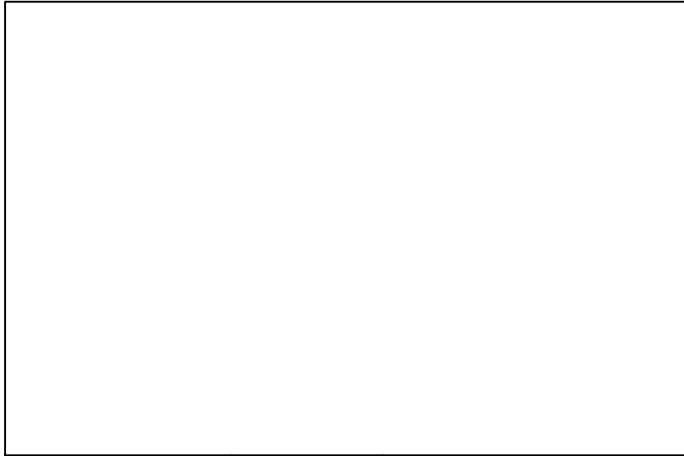
	REF No:	JC020
	MODEL No:	A-30/912200
	CORE SIZE	713 x 686
	CORE FORM	6 Row x 7 F.P.I.




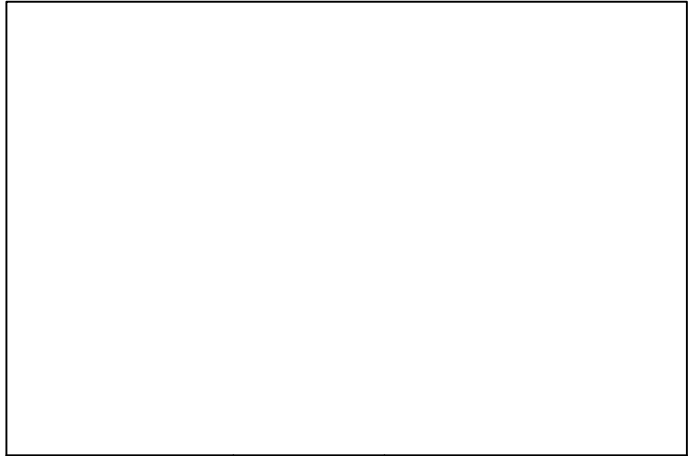
	REF No:	JC021
	MODEL No:	A-30/304100
	CORE SIZE	570 X645
	CORE FORM	6 Row x 8 F.P.I




	REF No:	
	MODEL No:	
	CORE SIZE	
	CORE FORM	



	REF No:	
	MODEL No:	
	CORE SIZE	
	CORE FORM	



	REF No:	
	MODEL No:	
	CORE SIZE	
	CORE FORM	