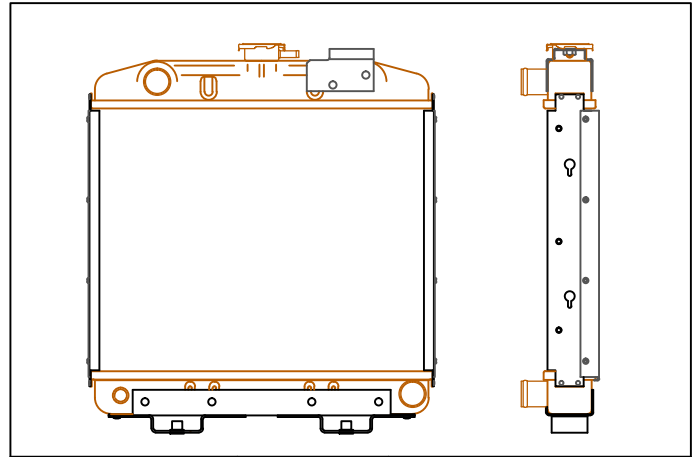

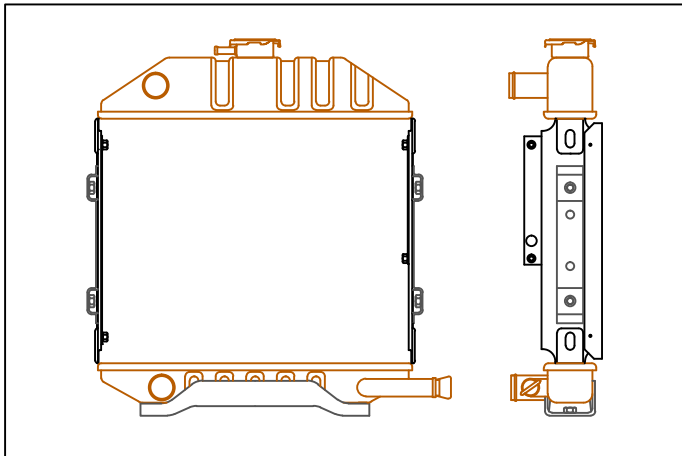

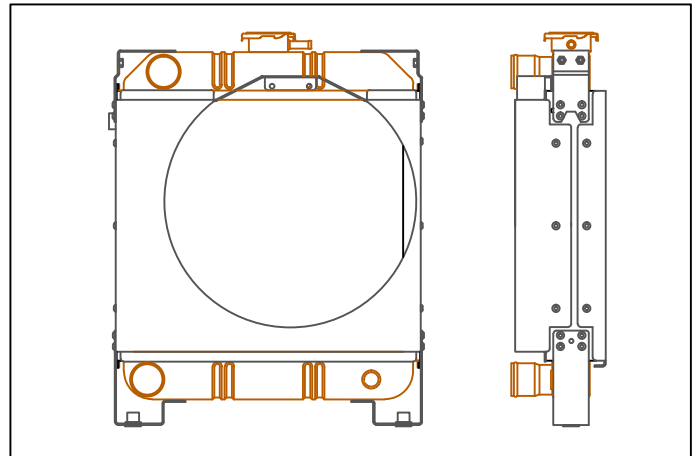
 Clancy Radiators Ltd.	REF No:	NH001
	MODEL No:	A-SBA310100610
	CORE SIZE	340 x 356
	CORE FORM	3 Row x Pack.




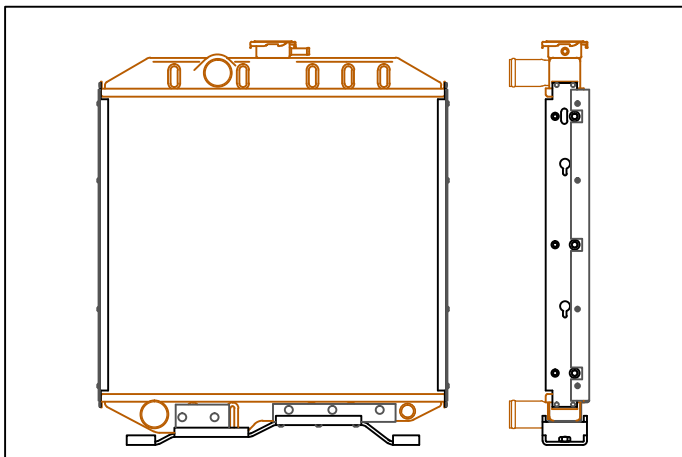
 Clancy Radiators Ltd.	REF No:	NH002
	MODEL No:	A-SBA310100031
	CORE SIZE	326 x 414
	CORE FORM	2 Row x Pack




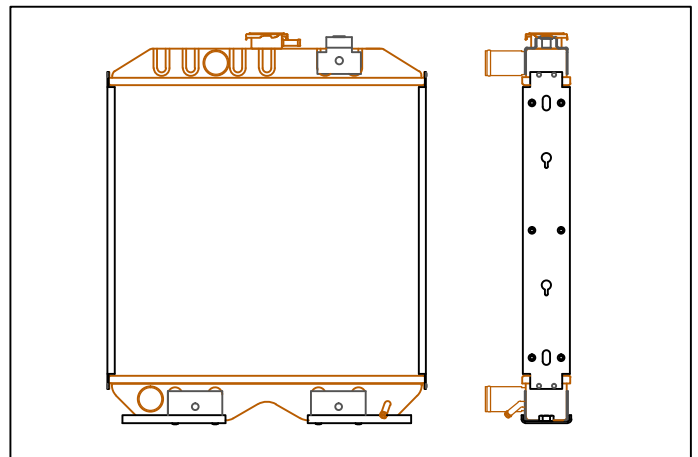
 Clancy Radiators Ltd.	REF No:	NH003
	MODEL No:	A-SBA310100211
	CORE SIZE	not developed
	CORE FORM	not developed




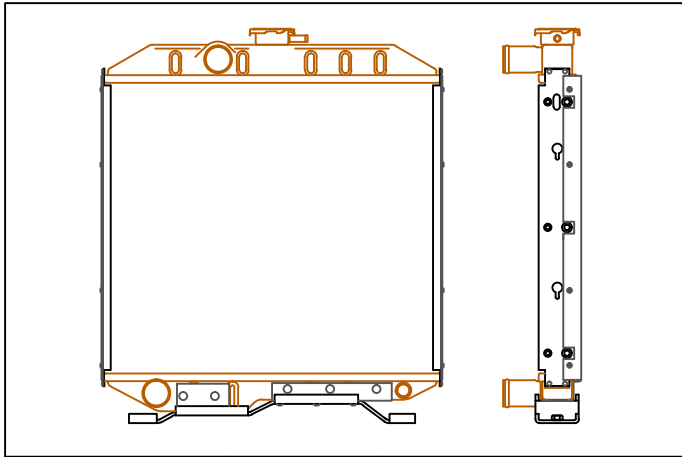
 Clancy Radiators Ltd.	REF No:	NH004
	MODEL No:	A-86561696
	CORE SIZE	270 x 310
	CORE FORM	2 Row x 10 F.P.I.




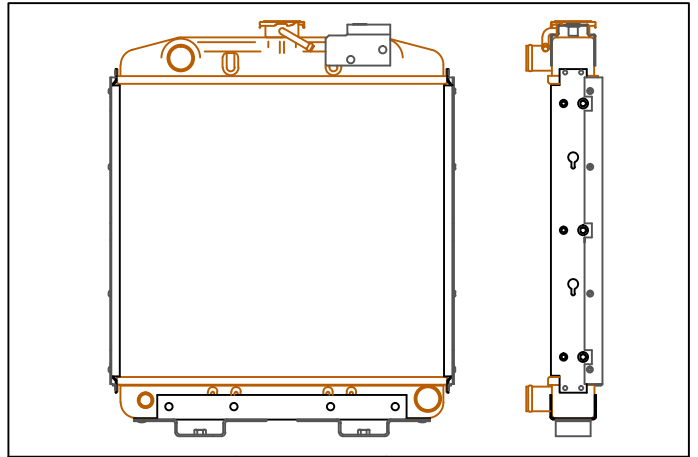
 Clancy Radiators Ltd.	REF No:	NH005
	MODEL No:	A-SBA310100440
	CORE SIZE	376 x 412
	CORE FORM	2 Rows x Pack




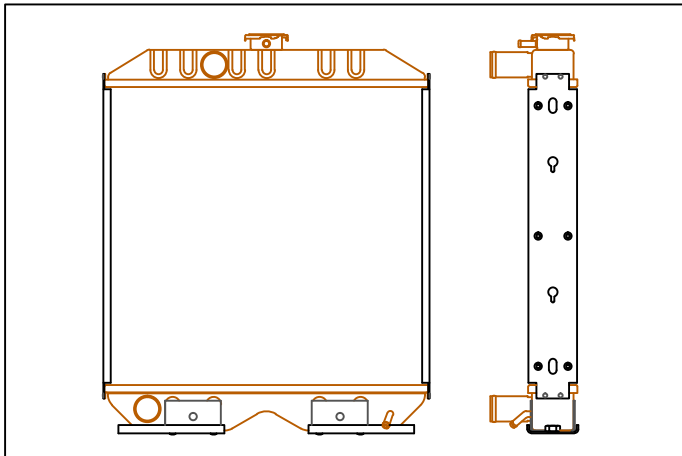
 Clancy Radiators Ltd.	REF No:	NH006
	MODEL No:	A-SBA310100620
	CORE SIZE	400 x 423
	CORE FORM	3 Row x Pack




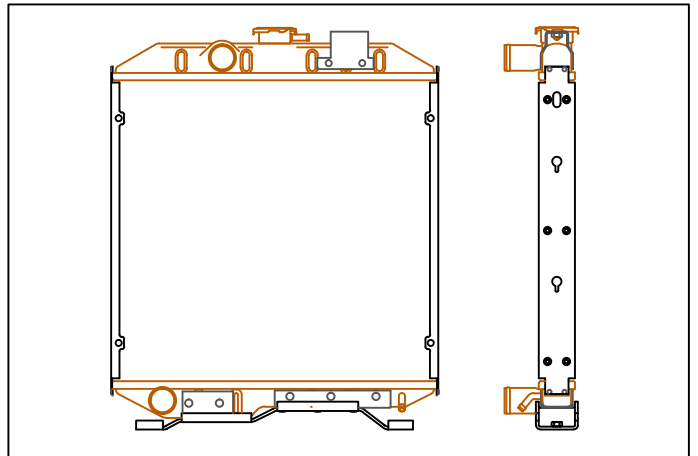
 Clancy Radiators Ltd.	REF No:	NH007
	MODEL No:	A-SBA310100291
	CORE SIZE	376 x 412
	CORE FORM	2 Row x Pack.




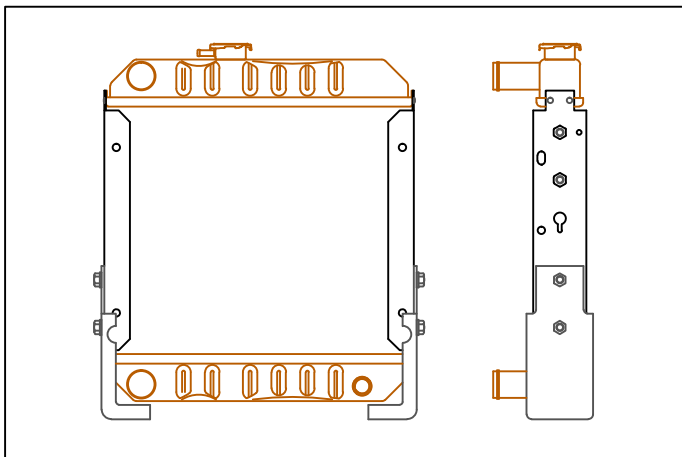
 Clancy Radiators Ltd.	REF No:	NH008
	MODEL No:	A-SBA310100280
	CORE SIZE	376 x 410
	CORE FORM	2 Row x Pack




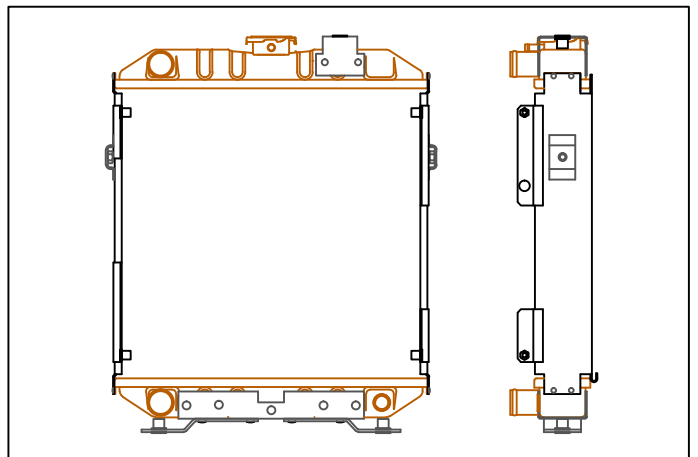
 Clancy Radiators Ltd.	REF No:	NH009
	MODEL No:	A-SBA310100600
	CORE SIZE	400 x 423
	CORE FORM	3 Row x Pack




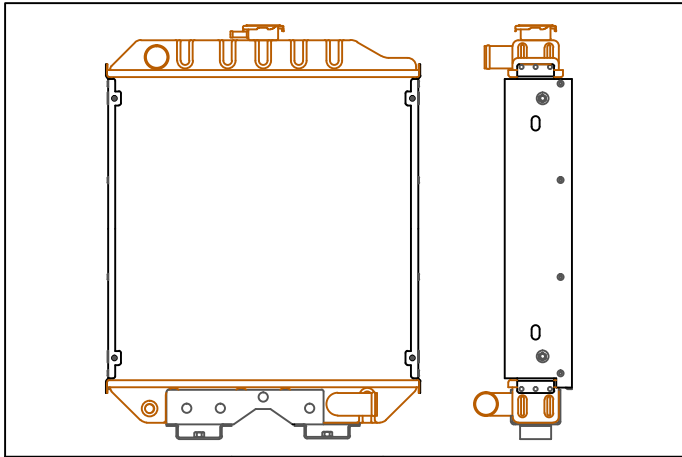
 Clancy Radiators Ltd.	REF No:	NH010
	MODEL No:	A-SBA310100630
	CORE SIZE	402 x 423
	CORE FORM	2 Row x Pack




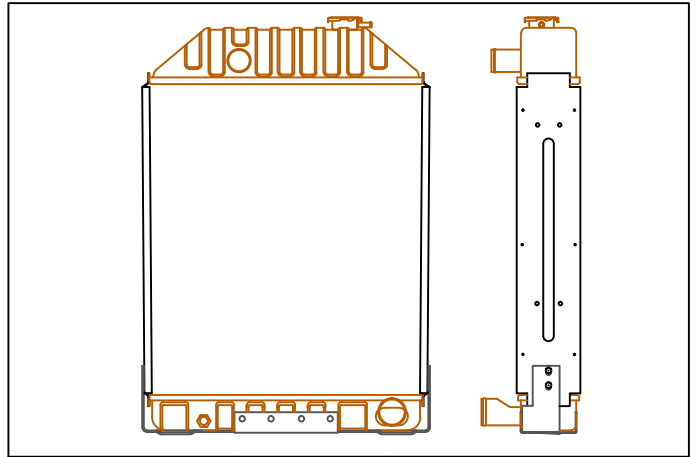
 Clancy Radiators Ltd.	REF No:	NH011
	MODEL No:	A-SBA310020020
	CORE SIZE	260 x 301
	CORE FORM	2 Rows x Pack




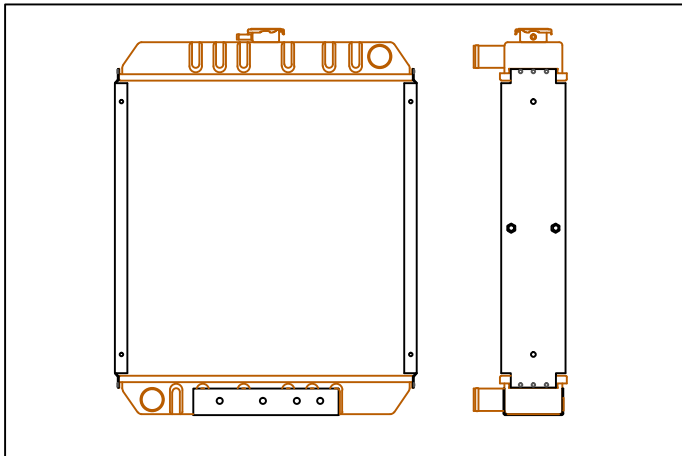
 Clancy Radiators Ltd.	REF No:	NH012
	MODEL No:	A-SBA310100431
	CORE SIZE	336 x 360
	CORE FORM	2 Row x Pack




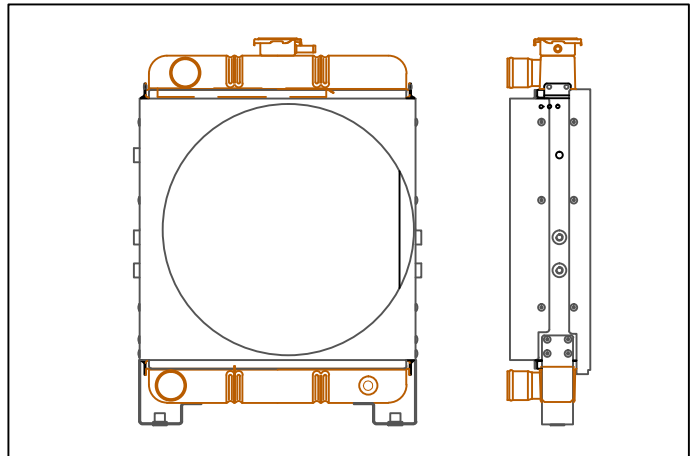
 Clancy Radiators Ltd.	REF No:	NH013
	MODEL No:	A-SBA310100480
	CORE SIZE	425 x 395
	CORE FORM	3 Row x Pack




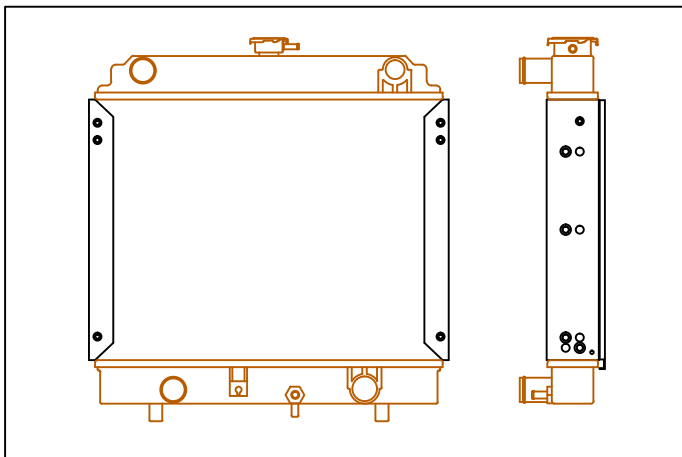
 Clancy Radiators Ltd.	REF No:	NH014
	MODEL No:	A-9828738
	CORE SIZE	529 x 459
	CORE FORM	4 Row x 7 F.P.I.




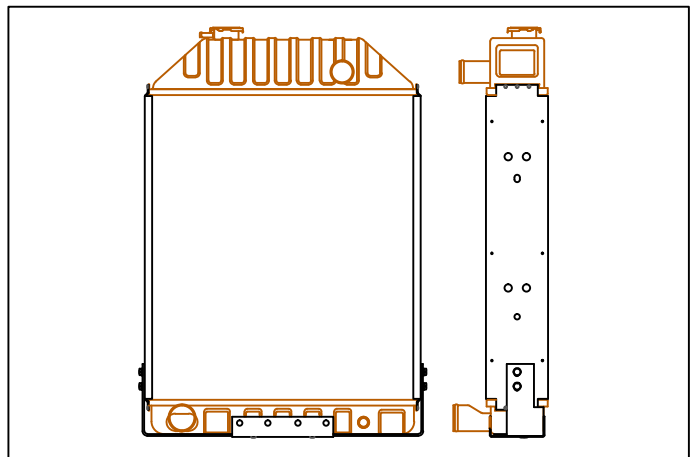
 Clancy Radiators Ltd.	REF No:	NH015
	MODEL No:	A-86534248
	CORE SIZE	467 x 459
	CORE FORM	5 Row x 7 F.P.I.




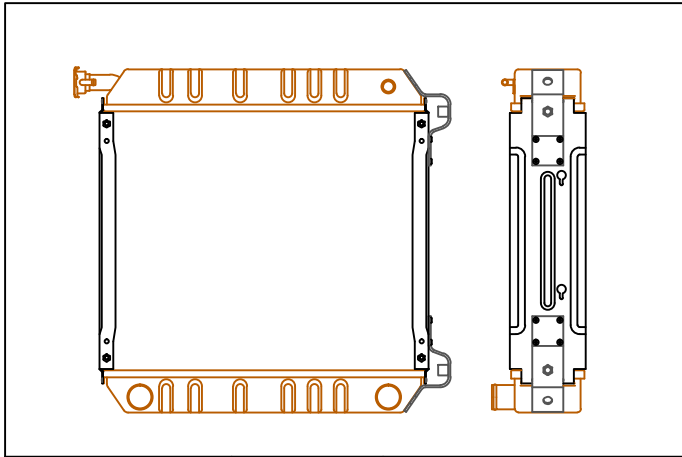
 Clancy Radiators Ltd.	REF No:	NH016
	MODEL No:	A-86561701
	CORE SIZE	320 x 310
	CORE FORM	2 Row x Pack




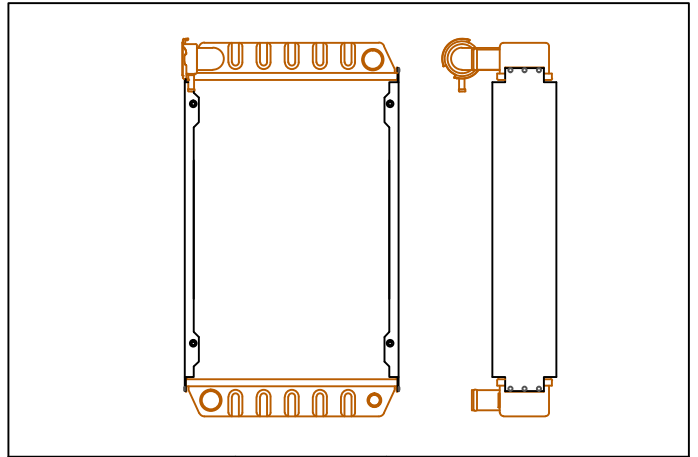
 Clancy Radiators Ltd.	REF No:	NH017
	MODEL No:	A-SBA310100930
	CORE SIZE	not developed
	CORE FORM	not developed




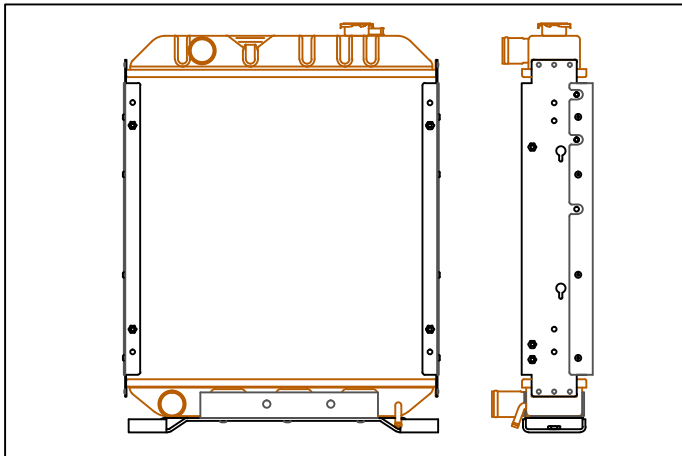
 Clancy Radiators Ltd.	REF No:	NH018
	MODEL No:	A-9619995
	CORE SIZE	529 x 459
	CORE FORM	4 Row x 8 F.P.I.




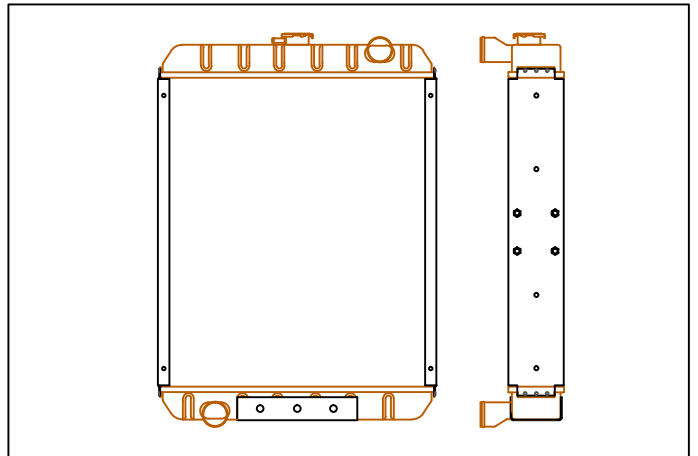
 Clancy Radiators Ltd.	REF No:	NH019
	MODEL No:	A-86402724
	CORE SIZE	375 x 462
	CORE FORM	3 Row x Pack




 Clancy Radiators Ltd.	REF No:	NH020
	MODEL No:	A-847465
	CORE SIZE	425 x 300
	CORE FORM	0 Row x Pack




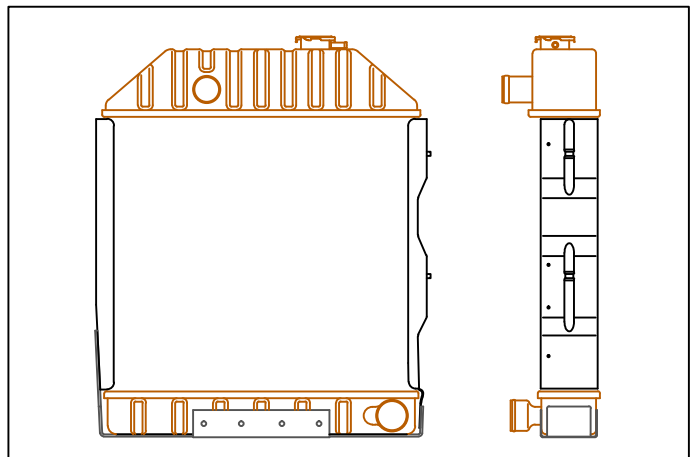
 Clancy Radiators Ltd.	REF No:	NH021
	MODEL No:	A-86519895
	CORE SIZE	400 x 397
	CORE FORM	3 Row x Pack.




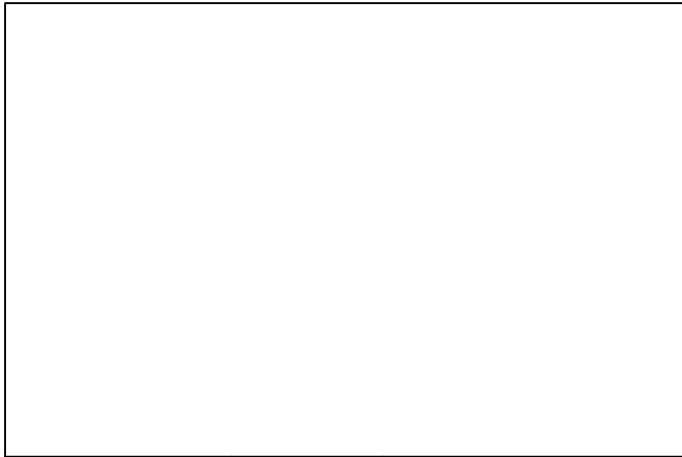
 Clancy Radiators Ltd.	REF No:	NH022
	MODEL No:	A-86546700
	CORE SIZE	571 x 496
	CORE FORM	5 Row x 8 F.P.I.




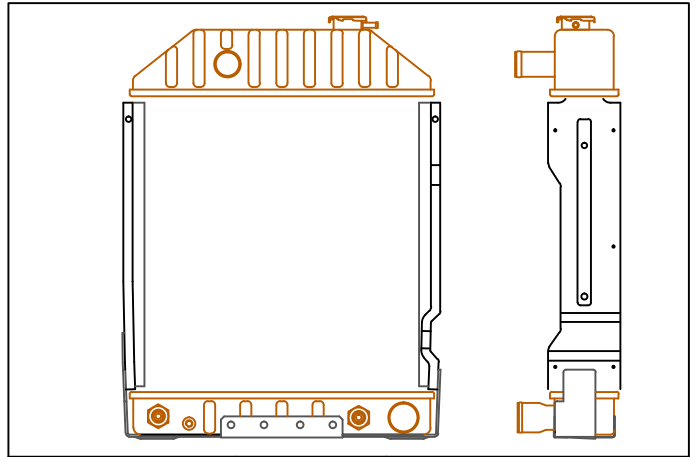
 Clancy Radiators Ltd.	REF No:	NH023
	MODEL No:	A-86534249
	CORE SIZE	not developed
	CORE FORM	not developed




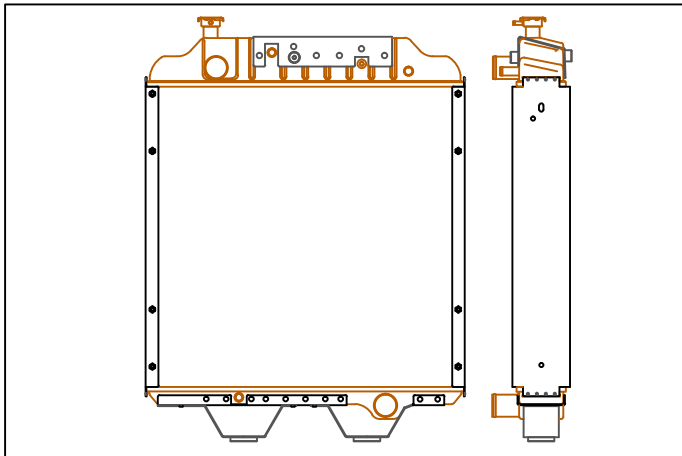
 Clancy Radiators Ltd.	REF No:	NH024
	MODEL No:	FONN8005DC15M
	CORE SIZE	not developed
	CORE FORM	not developed




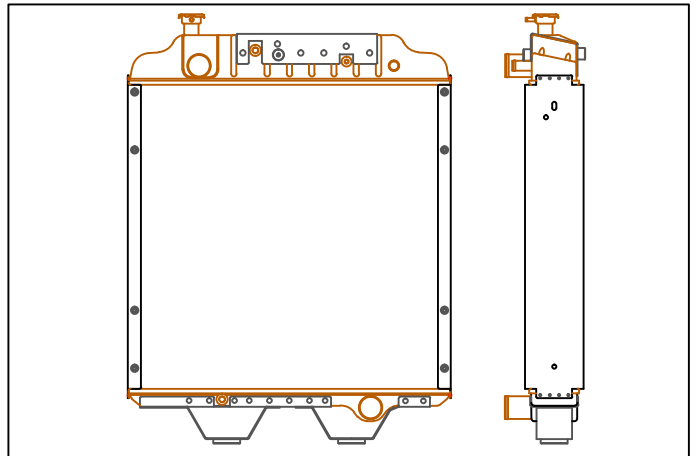
 Clancy Radiators Ltd.	REF No:	NH025
	MODEL No:	A-82033796
	CORE SIZE	not developed
	CORE FORM	not developed




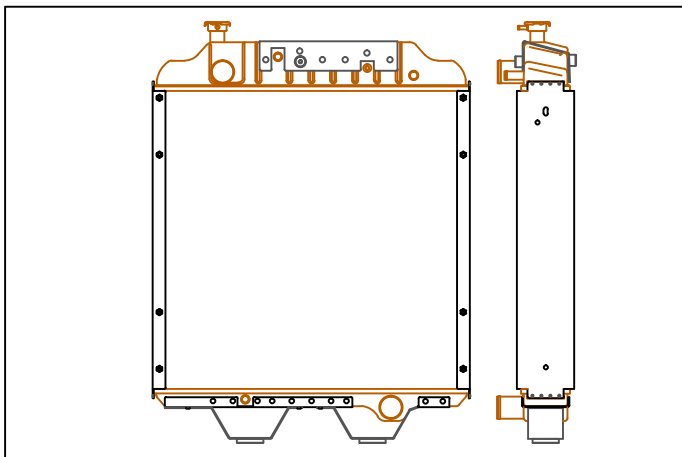
 Clancy Radiators Ltd.	REF No:	NH026
	MODEL No:	A-82980244
	CORE SIZE	not developed
	CORE FORM	not developed




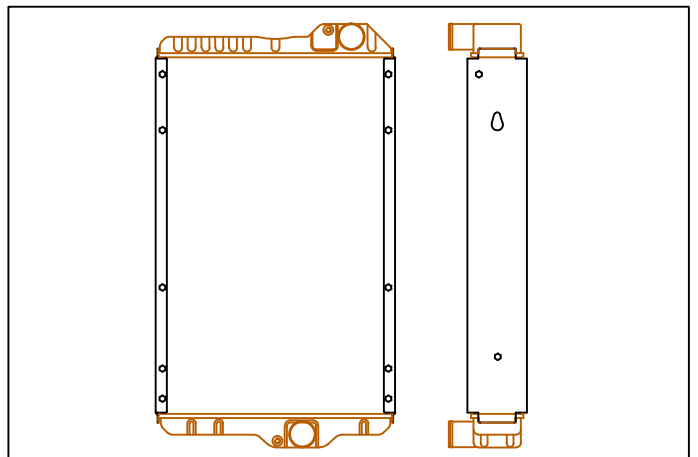
 Clancy Radiators Ltd.	REF No:	NH027
	MODEL No:	A-86013263
	CORE SIZE	682 x 700
	CORE FORM	4 Row x 8 F.P.I.




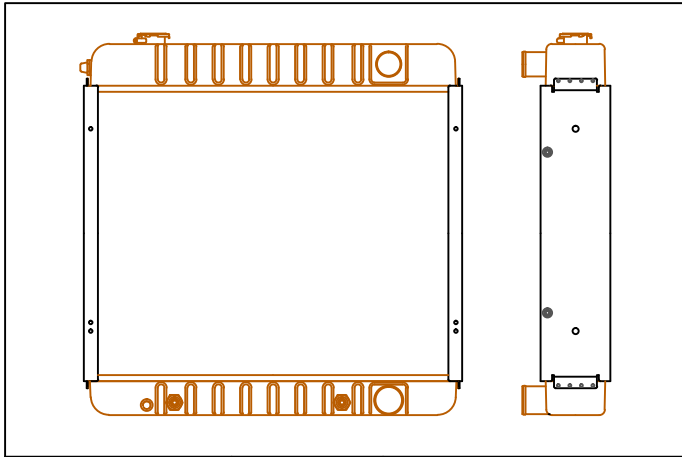
 Clancy Radiators Ltd.	REF No:	NH028
	MODEL No:	A-86013264
	CORE SIZE	682 x 700
	CORE FORM	3 Row x 10 F.P.I.




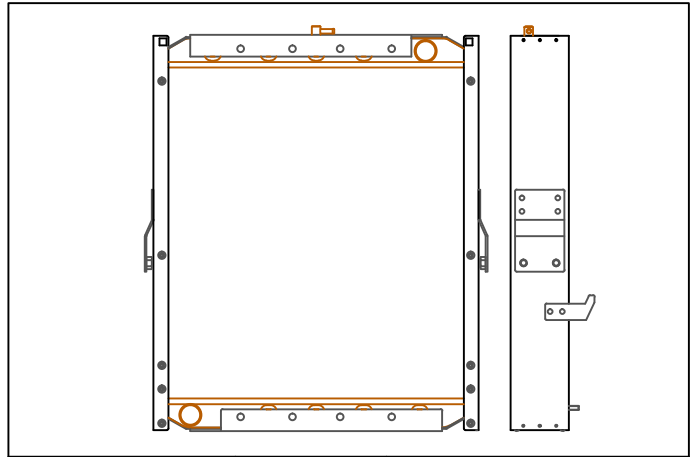
 Clancy Radiators Ltd.	REF No:	NH029
	MODEL No:	A-86013980
	CORE SIZE	862 x 700
	CORE FORM	5 Rows x 8 F.P.I.




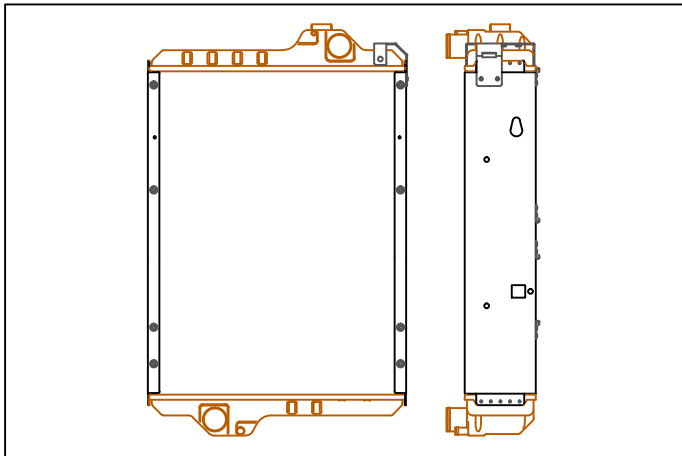
 Clancy Radiators Ltd.	REF No:	NH030
	MODEL No:	A-87448824
	CORE SIZE	800 x 509
	CORE FORM	6 Row x 7 F.P.I.




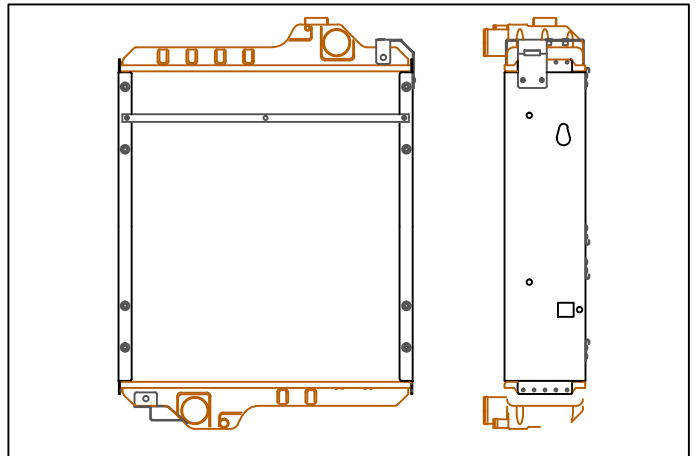
 Clancy Radiators Ltd.	REF No:	NH031
	MODEL No:	A-86018393
	CORE SIZE	518 x 658
	CORE FORM	5 Row x 7 F.P.I.




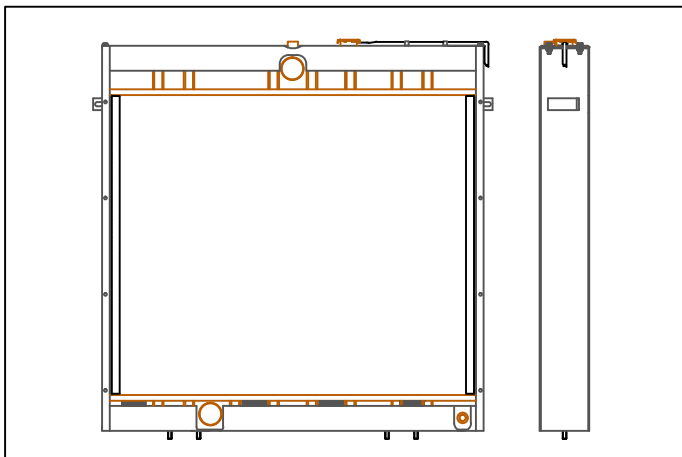
 Clancy Radiators Ltd.	REF No:	NH032
	MODEL No:	A-85802859
	CORE SIZE	605 x 570
	CORE FORM	4 Row x 10 F.P.I.




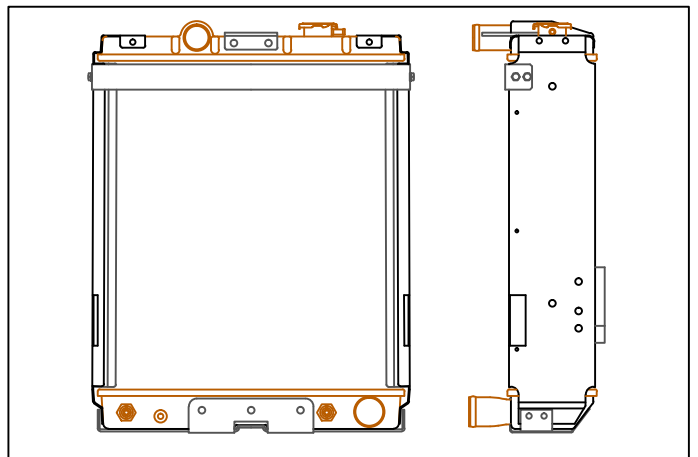
 Clancy Radiators Ltd.	REF No:	NH033
	MODEL No:	A-87352193
	CORE SIZE	707 x 530
	CORE FORM	7 Row x 8 F.P.I.





 Clancy Radiators Ltd.	REF No:	NH034
	MODEL No:	A-87352191
	CORE SIZE	596 x 530
	CORE FORM	7 Row x 8 F.P.I.




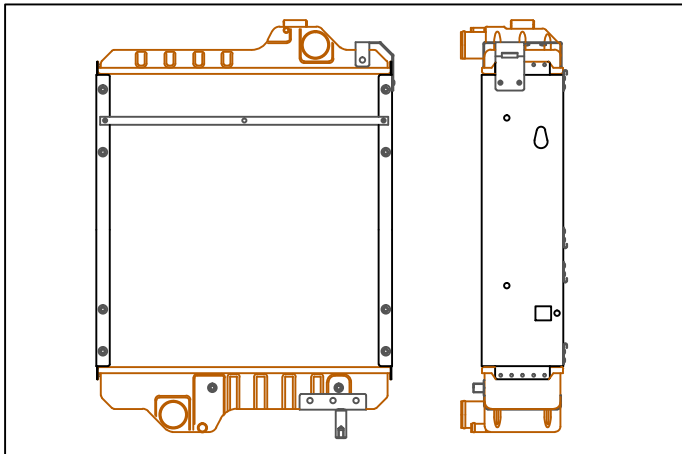
 Clancy Radiators Ltd.	REF No:	NH035
	MODEL No:	A-87454938
	CORE SIZE	not developed
	CORE FORM	not developed




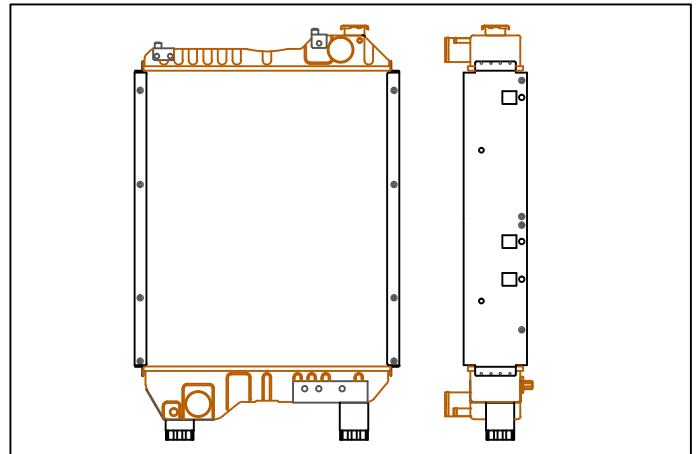
 Clancy Radiators Ltd.	REF No:	NH036
	MODEL No:	A-82985374
	CORE SIZE	not developed
	CORE FORM	not developed


 Clancy Radiators Ltd.	REF No:	NH037
	MODEL No:	A-87581609
	CORE SIZE	not developed
	CORE FORM	not developed

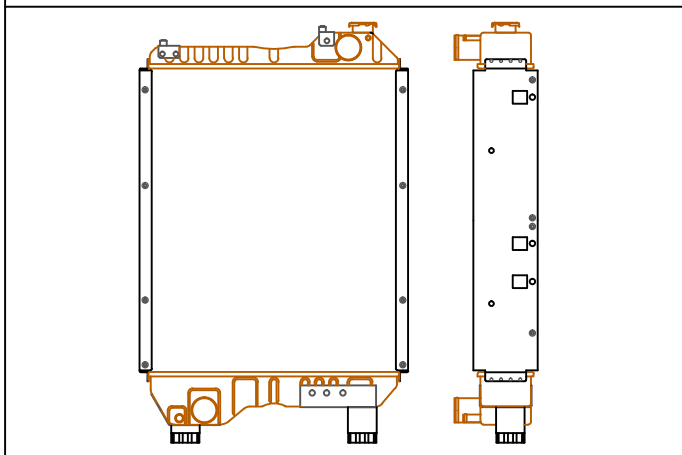
 Clancy Radiators Ltd.	REF No:	NH038
	MODEL No:	A-82015095
	CORE SIZE	not developed
	CORE FORM	not developed




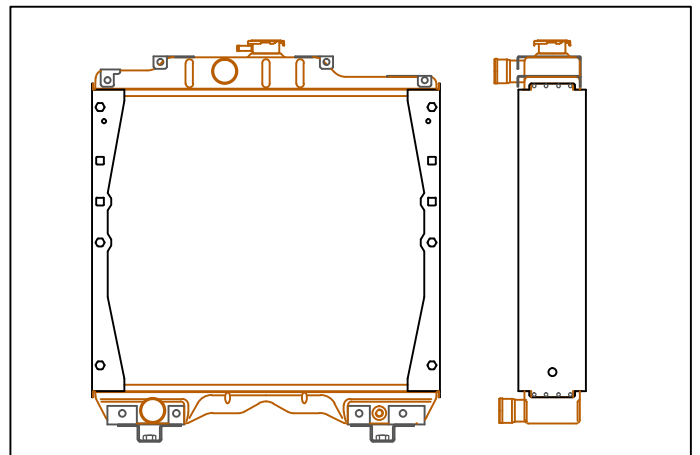
 Clancy Radiators Ltd.	REF No:	NH039
	MODEL No:	A-87352188
	CORE SIZE	560 x 530
	CORE FORM	6 Row x 8 F.P.I.




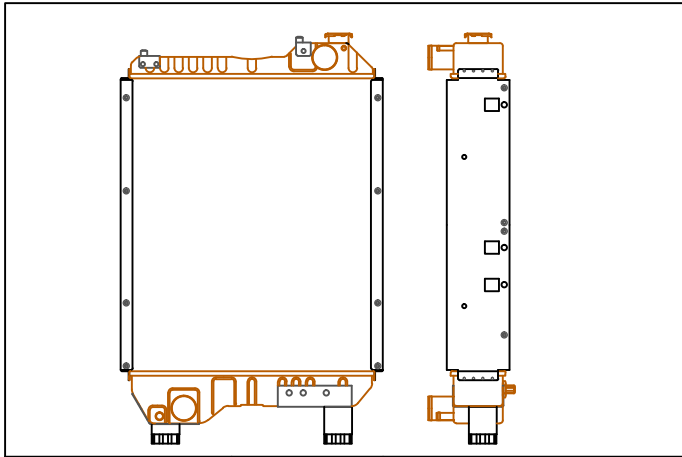
 Clancy Radiators Ltd.	REF No:	NH040
	MODEL No:	A-82013306
	CORE SIZE	627 x 521
	CORE FORM	6 Row x 7 F.P.I.




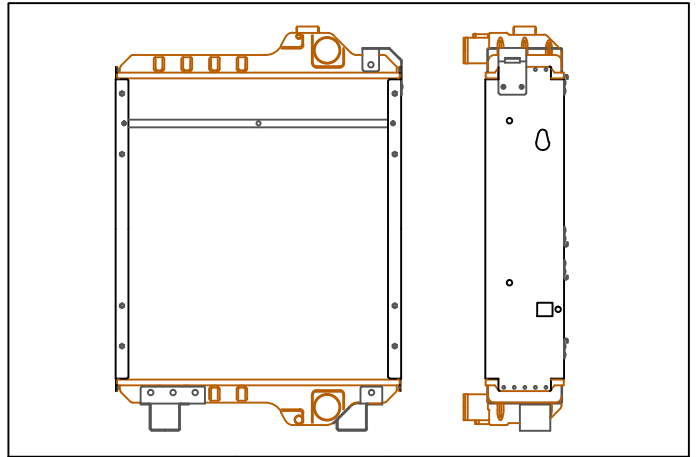
 Clancy Radiators Ltd.	REF No:	NH041
	MODEL No:	A-82019497
	CORE SIZE	627 x 521
	CORE FORM	6 Rows x 7 F.P.I.




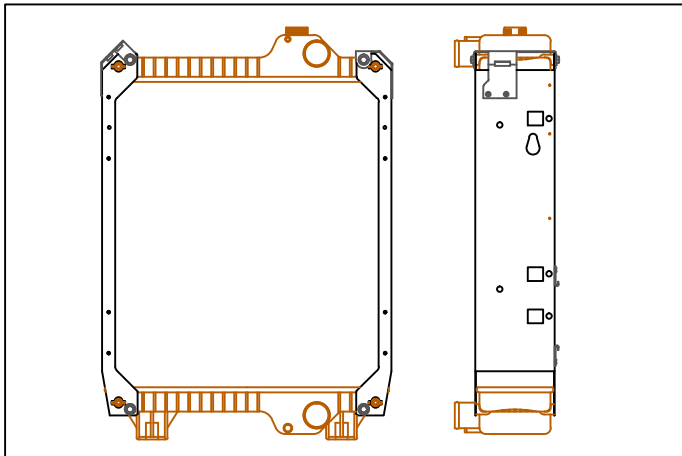
 Clancy Radiators Ltd.	REF No:	NH042
	MODEL No:	A-5169275
	CORE SIZE	459 x 534
	CORE FORM	4 Row x 8 F.P.I.




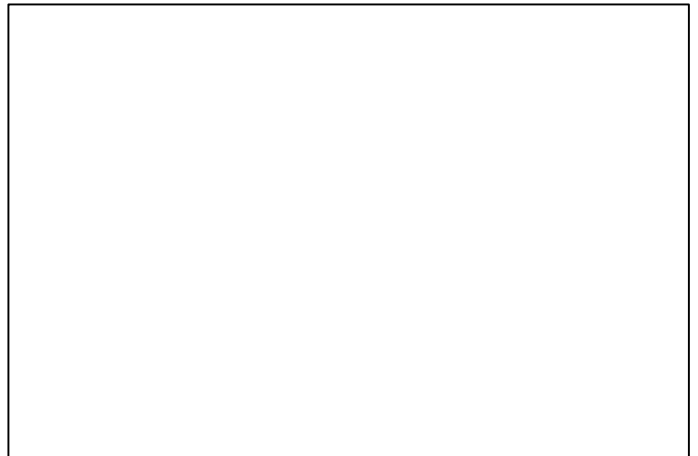
 Clancy Radiators Ltd.	REF No:	NH043
	MODEL No:	A-82006827
	CORE SIZE	627 x 521
	CORE FORM	6 Row x 7 F.P.I.




 Clancy Radiators Ltd.	REF No:	NH044
	MODEL No:	A-NH034 variation
	CORE SIZE	596 x 658
	CORE FORM	6 Row x 7 F.P.I.




 Clancy Radiators Ltd.	REF No:	NH045
	MODEL No:	A-87737094
	CORE SIZE	not developed
	CORE FORM	not developed




 Clancy Radiators Ltd.	REF No:	NH046
	MODEL No:	A-87378361
	CORE SIZE	not developed
	CORE FORM	not developed



 Clancy Radiators Ltd.	REF No:	
	MODEL No:	
	CORE SIZE	
	CORE FORM	



 Clancy Radiators Ltd.	REF No:	
	MODEL No:	
	CORE SIZE	
	CORE FORM	