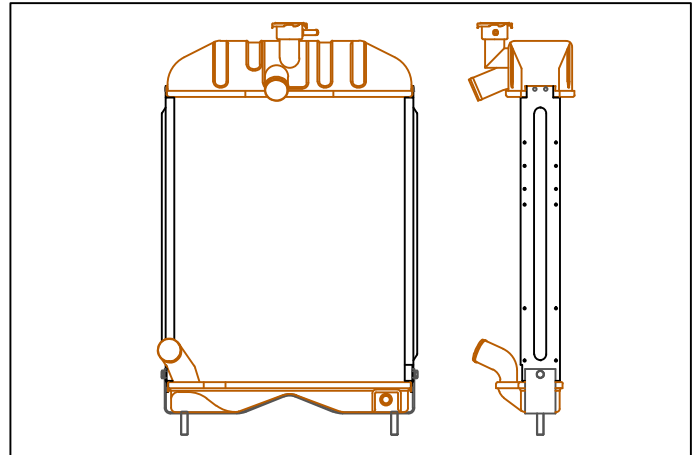

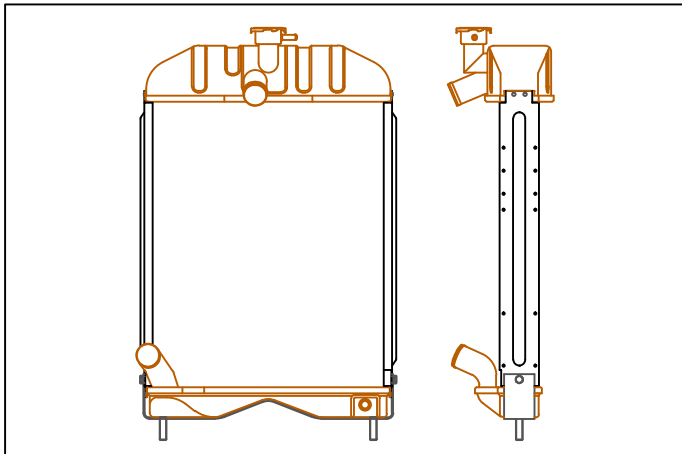

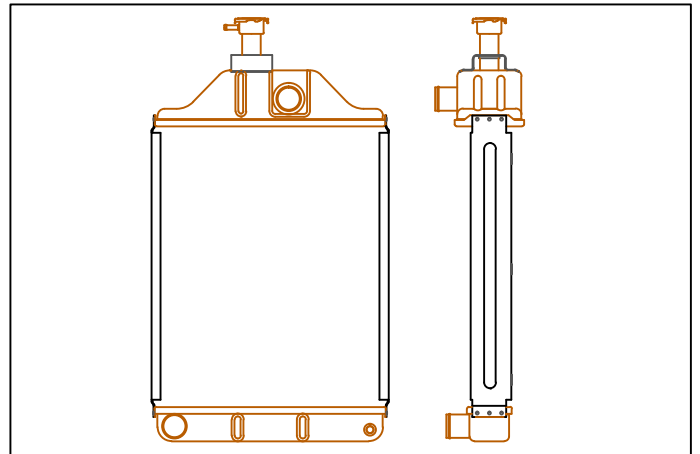
 <b>Clancy Radiators Ltd.</b>	REF No:	MF001
	MODEL No:	A-894319M92
	CORE SIZE	451 x 385
	CORE FORM	3 Row x 7 F.P.I.




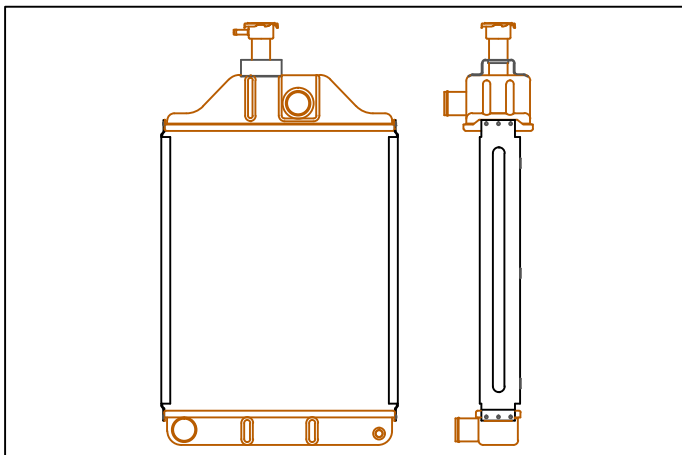
 <b>Clancy Radiators Ltd.</b>	REF No:	MF002-1
	MODEL No:	A-1660499M92
	CORE SIZE	470 x 5385
	CORE FORM	3 Row x 5 F.P.I.




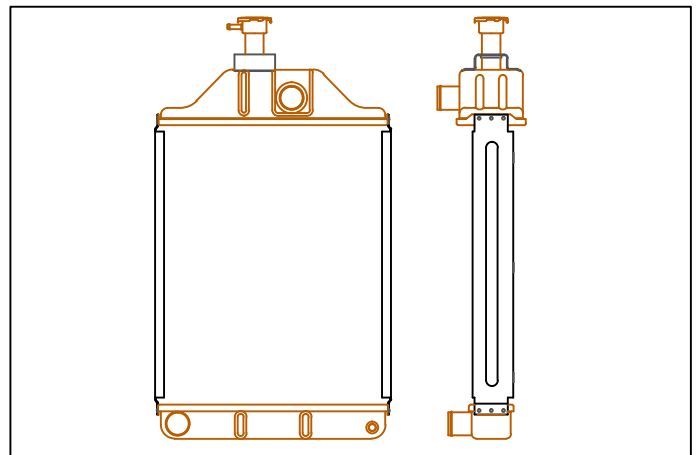
 <b>Clancy Radiators Ltd.</b>	REF No:	MF002-2
	MODEL No:	A-897188M94
	CORE SIZE	470 x 385
	CORE FORM	3 Row 5 F.P.I.




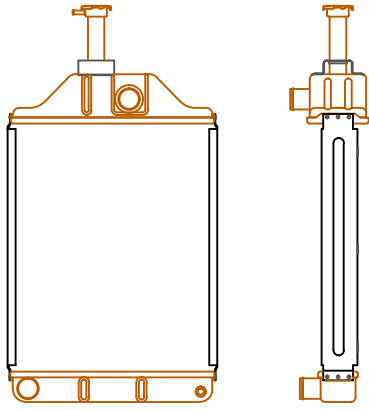
 <b>Clancy Radiators Ltd.</b>	REF No:	MF003-1
	MODEL No:	A-885579M93
	CORE SIZE	483 x 385
	CORE FORM	3 Row x 8 F.P.I.




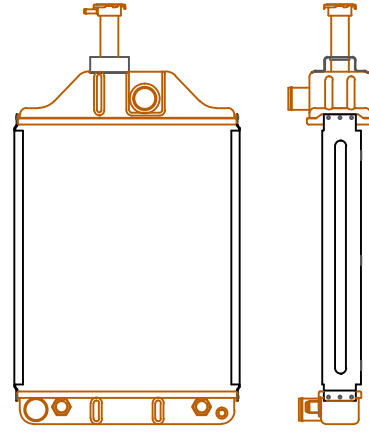
 <b>Clancy Radiators Ltd.</b>	REF No:	MF003-2
	MODEL No:	A-885580M3
	CORE SIZE	783 x 385
	CORE FORM	3 Row x 8 F.P.I.




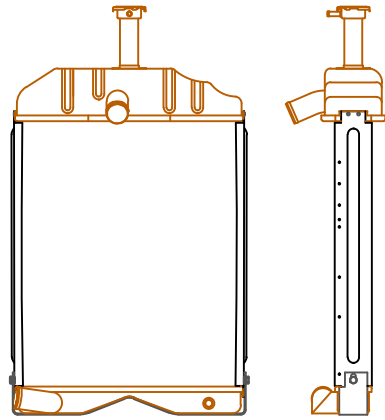
 <b>Clancy Radiators Ltd.</b>	REF No:	MF003-3
	MODEL No:	A-897358M4
	CORE SIZE	483 x 385
	CORE FORM	3 Row x 8 F.P.I.




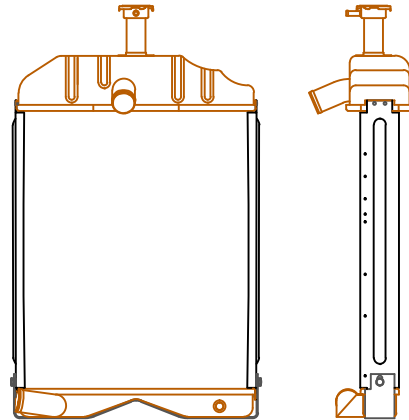
 <b>Clancy Radiators Ltd.</b>	REF No:	MF004
	MODEL No:	A531982M94
	CORE SIZE	483 x 385
	CORE FORM	3 Rows x 8 F.P.I.




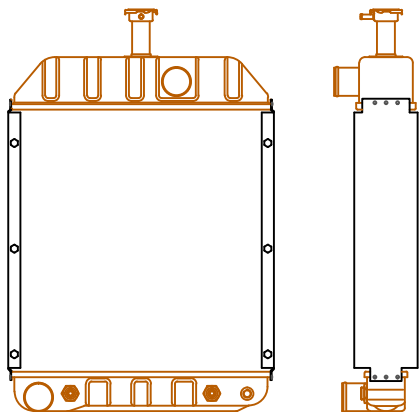
 <b>Clancy Radiators Ltd.</b>	REF No:	MF005
	MODEL No:	A-531981M94
	CORE SIZE	483 x 385
	CORE FORM	3 Row x 8 F.P.I.




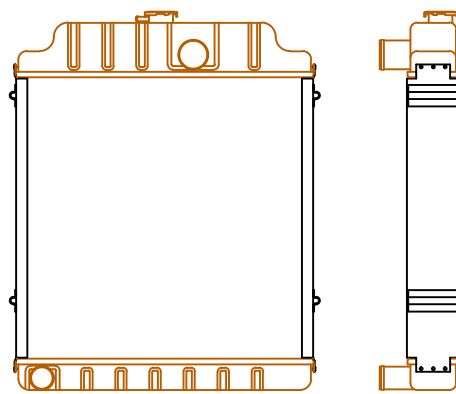
 <b>Clancy Radiators Ltd.</b>	REF No:	MF006
	MODEL No:	A-539919M91
	CORE SIZE	470 x 385
	CORE FORM	3 Row x 7 F.P.I.




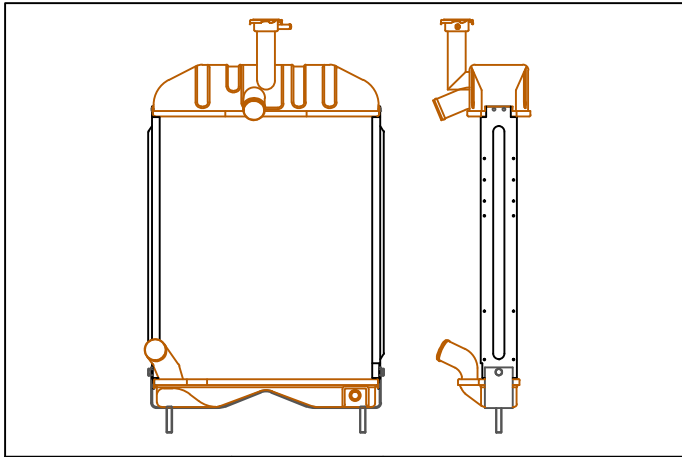
 <b>Clancy Radiators Ltd.</b>	REF No:	MF007
	MODEL No:	A-579004M91
	CORE SIZE	470 x 385
	CORE FORM	3 Row x 7 F.P.I.




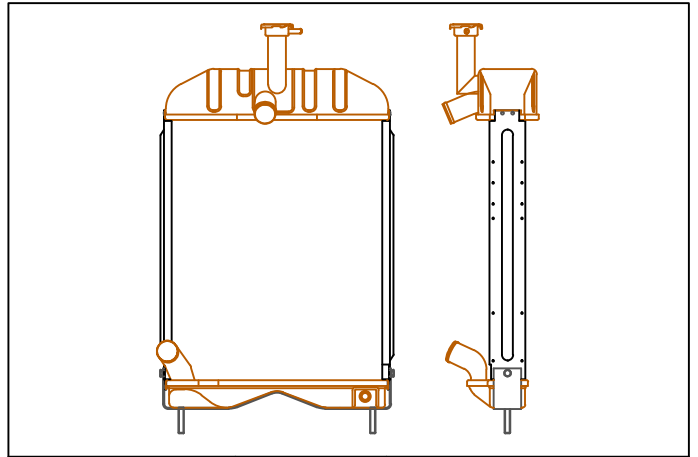
 <b>Clancy Radiators Ltd.</b>	REF No:	MF008
	MODEL No:	A-579339M91
	CORE SIZE	470 x 460
	CORE FORM	3 Row x 8 F.P.I.




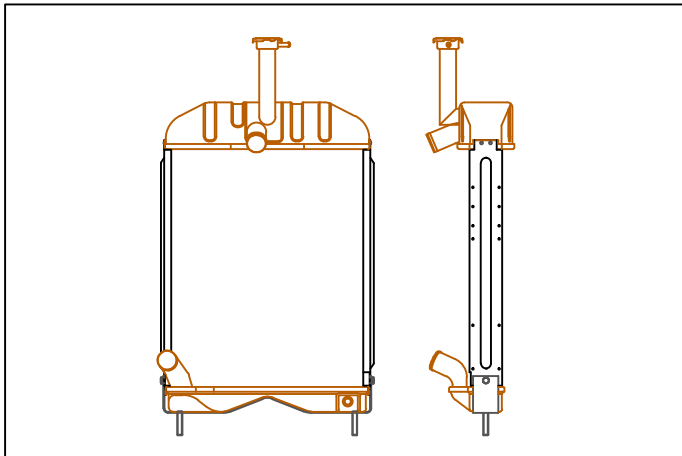
 <b>Clancy Radiators Ltd.</b>	REF No:	MF009
	MODEL No:	A-1695721M2
	CORE SIZE	495 x 509
	CORE FORM	4 Row x 7 F.P.I.




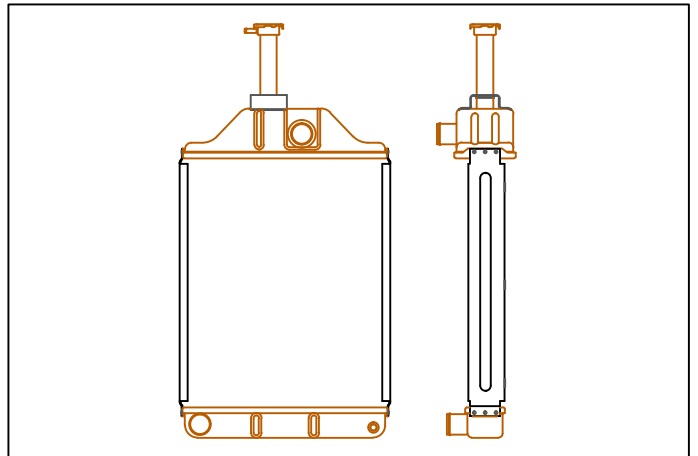
 <b>Clancy Radiators Ltd.</b>	REF No:	MF010-1
	MODEL No:	A-1680547M92
	CORE SIZE	470 x 385
	CORE FORM	3 Rows x 5 F.P.I.




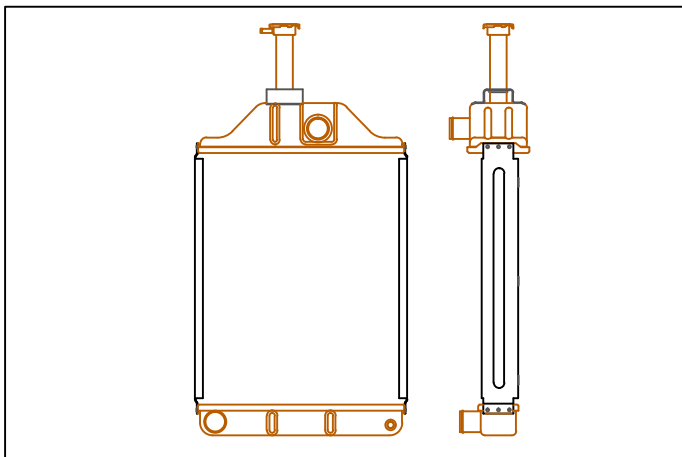
 <b>Clancy Radiators Ltd.</b>	REF No:	MF010-2
	MODEL No:	A-1672862M91
	CORE SIZE	470 x 385
	CORE FORM	3 Row x 8 F.P.I.




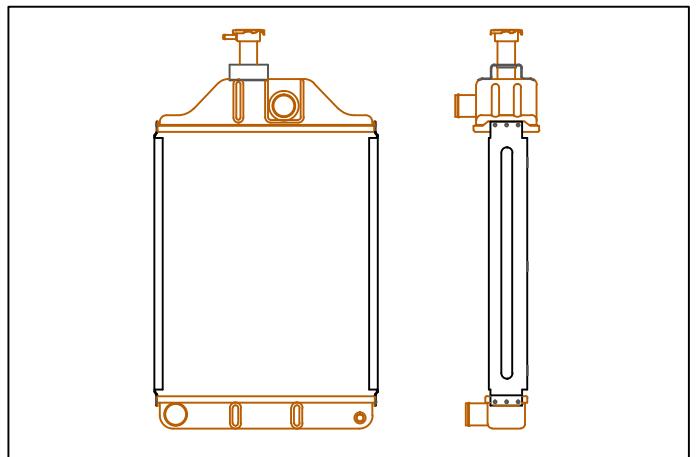
 <b>Clancy Radiators Ltd.</b>	REF No:	MF010-3
	MODEL No:	A-1660655M92
	CORE SIZE	450 x 385
	CORE FORM	3 Row x 5 F.P.I.




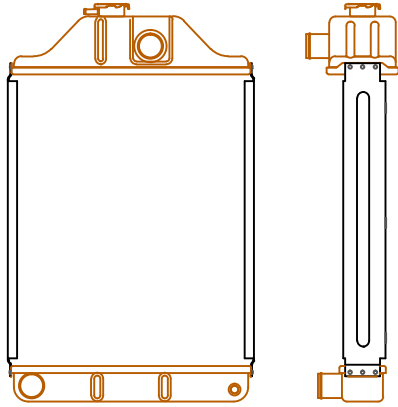
 <b>Clancy Radiators Ltd.</b>	REF No:	MF011
	MODEL No:	A-1876608M3
	CORE SIZE	483 x 385
	CORE FORM	3 Row x 8 F.P.I.




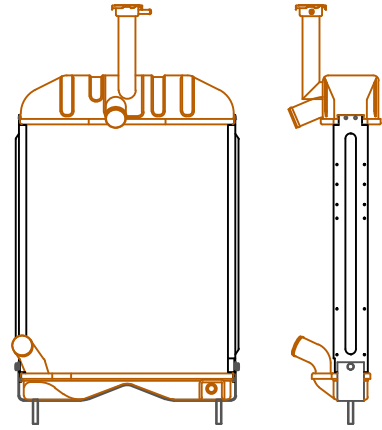
 <b>Clancy Radiators Ltd.</b>	REF No:	MF012
	MODEL No:	A-1669650M94
	CORE SIZE	483 x 380
	CORE FORM	2 Row x 8 F.P.I.




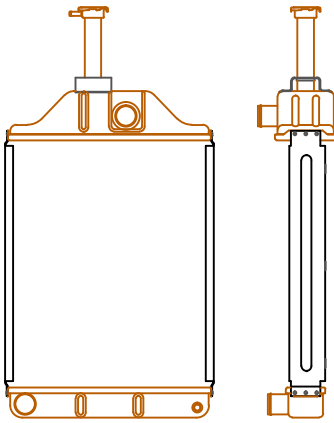
 <b>Clancy Radiators Ltd.</b>	REF No:	MFE012
	MODEL No:	A-1669950M94
	CORE SIZE	483 x 380
	CORE FORM	3 Row x 8 F.P.I.




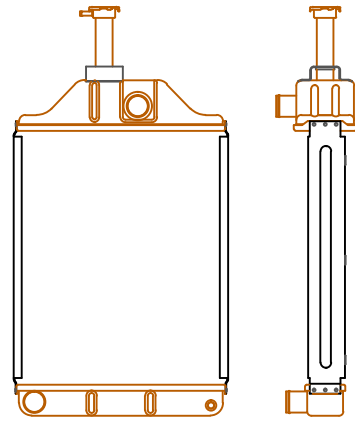
 <b>Clancy Radiators Ltd.</b>	REF No:	MF013
	MODEL No:	A-894808M2
	CORE SIZE	483 x 385
	CORE FORM	3 Rows x 8 F.P.I.




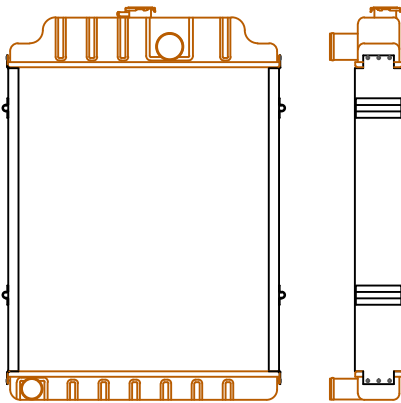
 <b>Clancy Radiators Ltd.</b>	REF No:	MF014
	MODEL No:	A-1662104M92
	CORE SIZE	470 x 385
	CORE FORM	3 Row x 5 F.P.I.




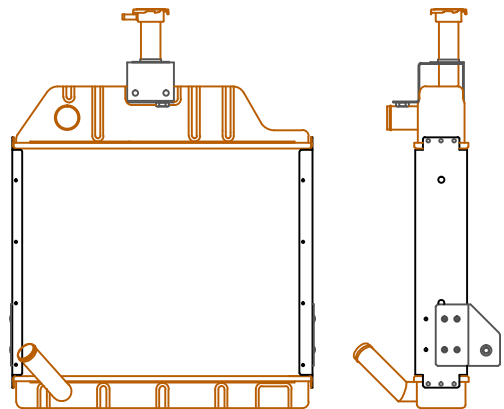
 <b>Clancy Radiators Ltd.</b>	REF No:	MF015
	MODEL No:	A-1874964M94
	CORE SIZE	483 x 380
	CORE FORM	3 Row x 8 F.P.I.




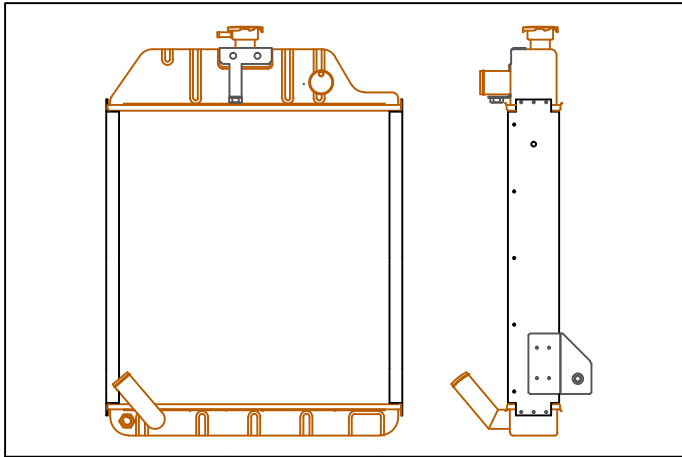
 <b>Clancy Radiators Ltd.</b>	REF No:	MF016
	MODEL No:	A-1680599M92
	CORE SIZE	483 x 380
	CORE FORM	3 Row x 8 F.P.I.




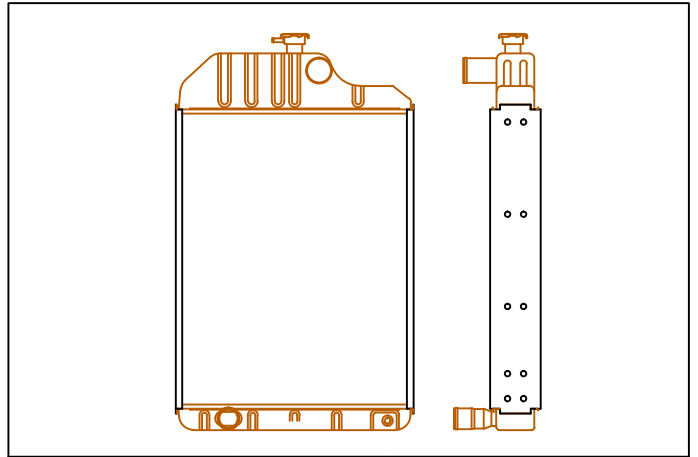
 <b>Clancy Radiators Ltd.</b>	REF No:	MF017
	MODEL No:	A-3614476M91
	CORE SIZE	587 x 509
	CORE FORM	4 Row x 7 F.P.I.




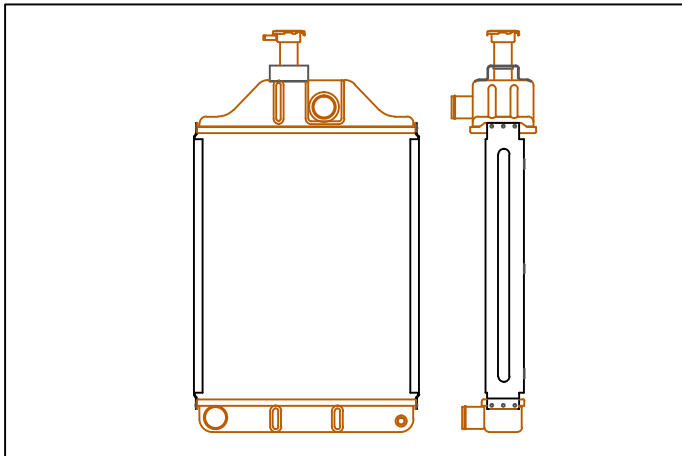
 <b>Clancy Radiators Ltd.</b>	REF No:	MF018
	MODEL No:	A-25352M98
	CORE SIZE	370 x 472
	CORE FORM	3 Row x 7 F.P.I.




 <b>Clancy Radiators Ltd.</b>	REF No:	MF019
	MODEL No:	A-3700447M92
	CORE SIZE	484 x 472
	CORE FORM	3 Rows x 7 F.P.I.




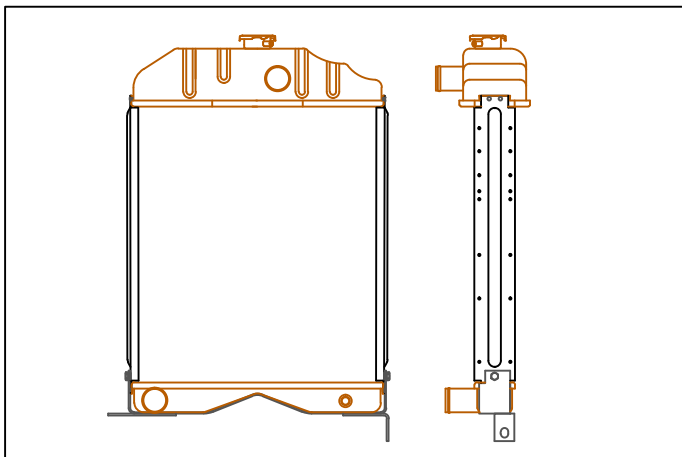
 <b>Clancy Radiators Ltd.</b>	REF No:	MF020
	MODEL No:	A-16802734M91
	CORE SIZE	597 x 480
	CORE FORM	4 Row x 8 F.P.I.




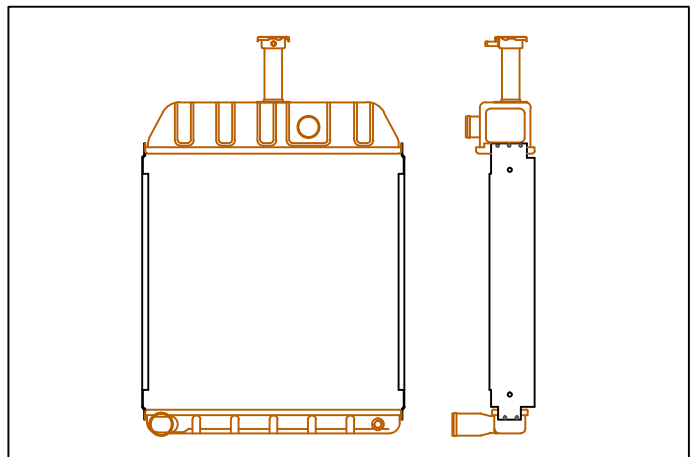
 <b>Clancy Radiators Ltd.</b>	REF No:	MF021
	MODEL No:	A-1876606M4
	CORE SIZE	483 x 385
	CORE FORM	3 Row x 8 F.P.I.




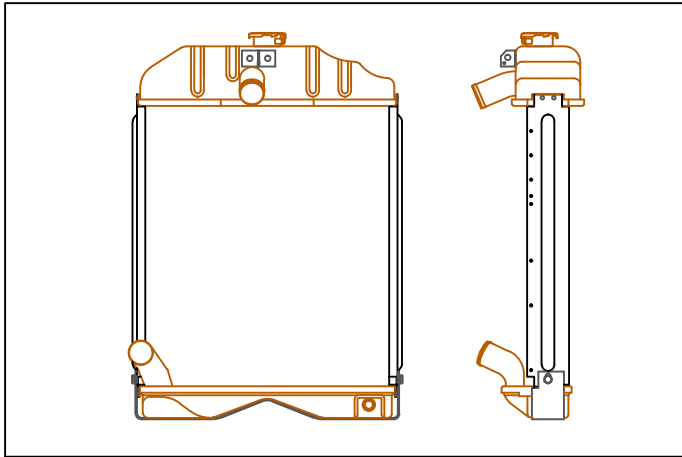
 <b>Clancy Radiators Ltd.</b>	REF No:	MF022
	MODEL No:	A-1459214M91
	CORE SIZE	To be developed
	CORE FORM	To be developed




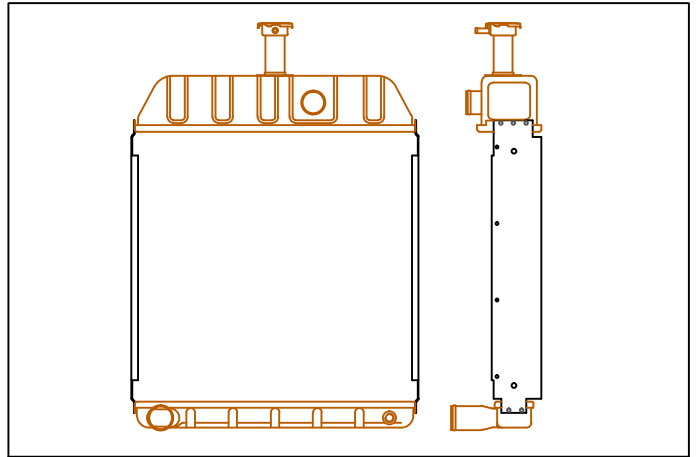
 <b>Clancy Radiators Ltd.</b>	REF No:	MF023
	MODEL No:	A-186733M91
	CORE SIZE	442 x 385
	CORE FORM	3 Row x 8 F.P.I.




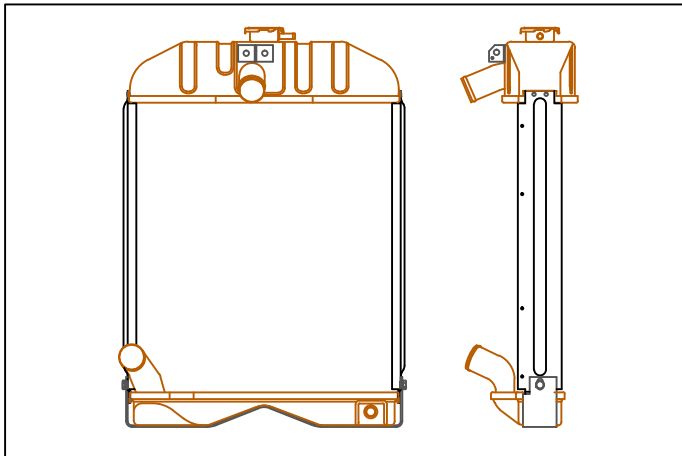
 <b>Clancy Radiators Ltd.</b>	REF No:	MF024
	MODEL No:	A-534229M93
	CORE SIZE	465 x 459
	CORE FORM	3 Row x 8 F.P.I.




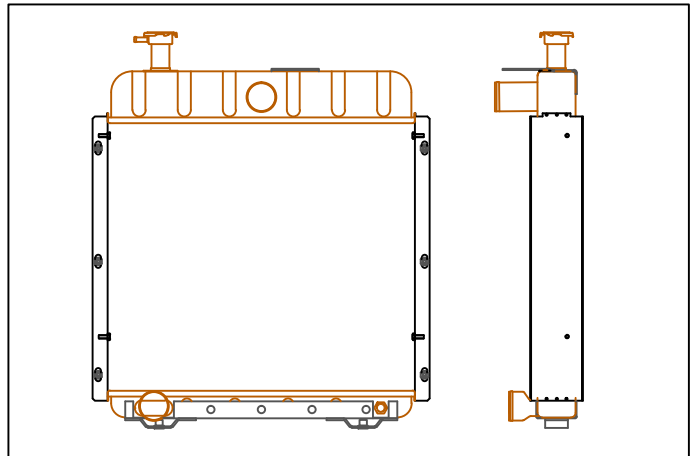
 <b>Clancy Radiators Ltd.</b>	REF No:	MF025
	MODEL No:	A-181623M1
	CORE SIZE	439 x 385
	CORE FORM	3 Row x 5 F.P.I.




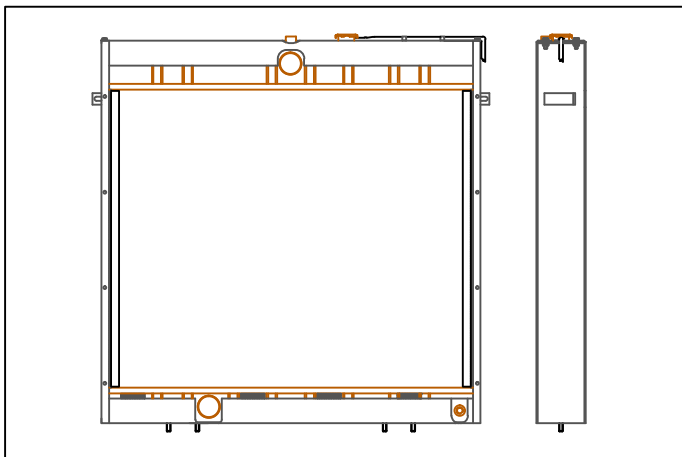
 <b>Clancy Radiators Ltd.</b>	REF No:	MF026
	MODEL No:	A-579010M92
	CORE SIZE	448 x 459
	CORE FORM	3 Row x 7 F.P.I.




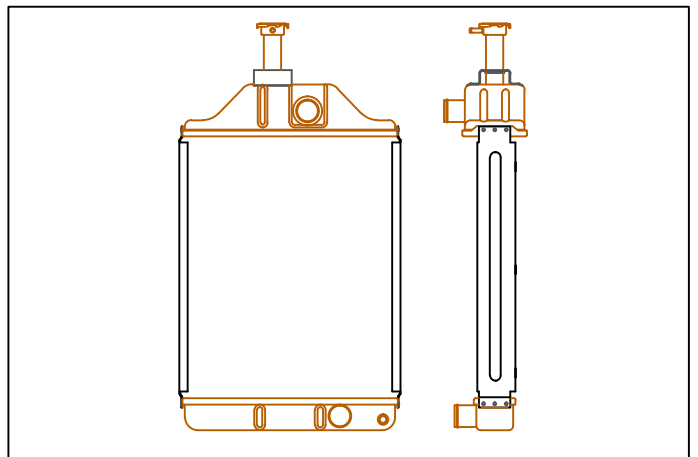
 <b>Clancy Radiators Ltd.</b>	REF No:	MF027
	MODEL No:	A-186830M91
	CORE SIZE	433 x 385
	CORE FORM	3 Row x 7 F.P.I.




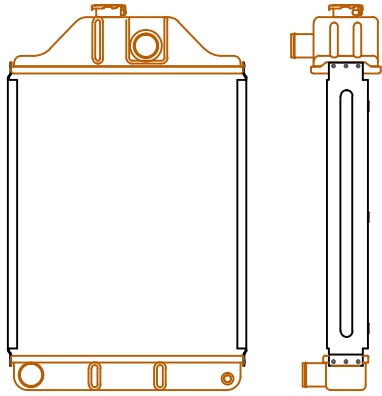
 <b>Clancy Radiators Ltd.</b>	REF No:	MF029
	MODEL No:	A-3382797M91
	CORE SIZE	473 x 530
	CORE FORM	3 Row x 7 F.P.I.




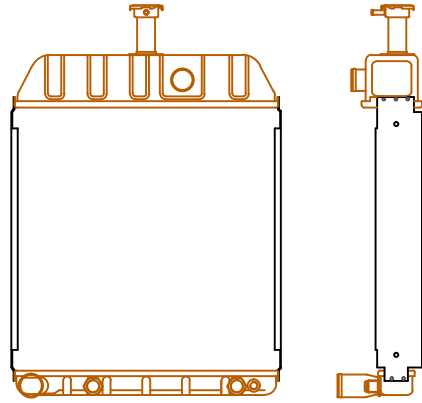
 <b>Clancy Radiators Ltd.</b>	REF No:	MF030
	MODEL No:	A-D28781313
	CORE SIZE	To be Developed
	CORE FORM	To be Developed




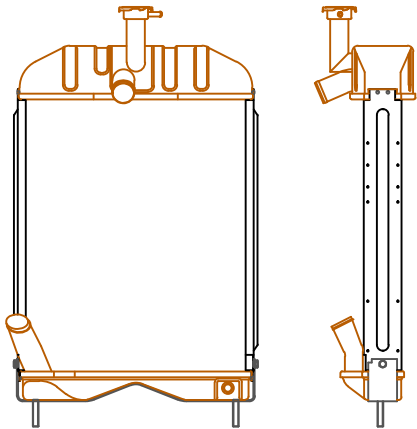
 <b>Clancy Radiators Ltd.</b>	REF No:	MF031
	MODEL No:	A-531980M94
	CORE SIZE	483 x 385
	CORE FORM	3 Row x 8 F.P.I.




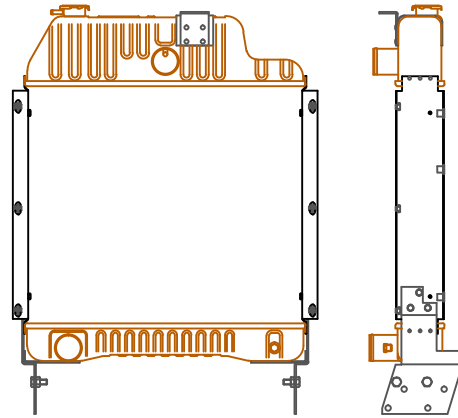
 <b>Clancy Radiators Ltd.</b>	REF No:	MF032
	MODEL No:	A-506244M91
	CORE SIZE	483 x 385
	CORE FORM	3 Rows x 8 F.P.I.




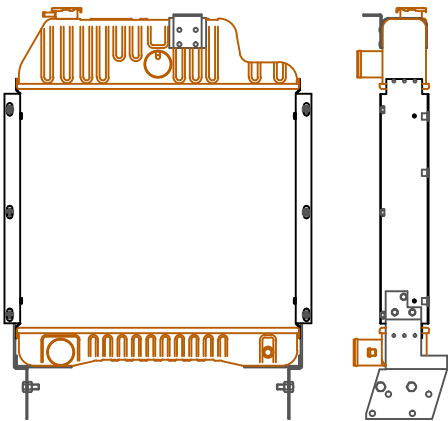
 <b>Clancy Radiators Ltd.</b>	REF No:	MF033
	MODEL No:	A-579337M95
	CORE SIZE	465 x 459
	CORE FORM	3 Row x 8 F.P.I.




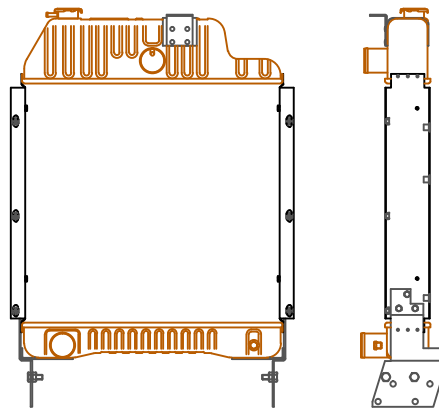
 <b>Clancy Radiators Ltd.</b>	REF No:	MF034
	MODEL No:	A-3599709M92
	CORE SIZE	470 x 385
	CORE FORM	3 Row x 8 F.P.I.




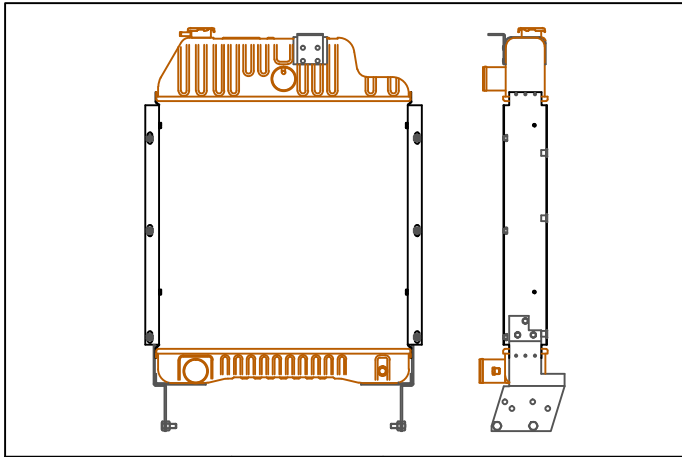
 <b>Clancy Radiators Ltd.</b>	REF No:	MF035
	MODEL No:	A-3618632M92
	CORE SIZE	465 x 530
	CORE FORM	4 Row x 8 F.P.I.




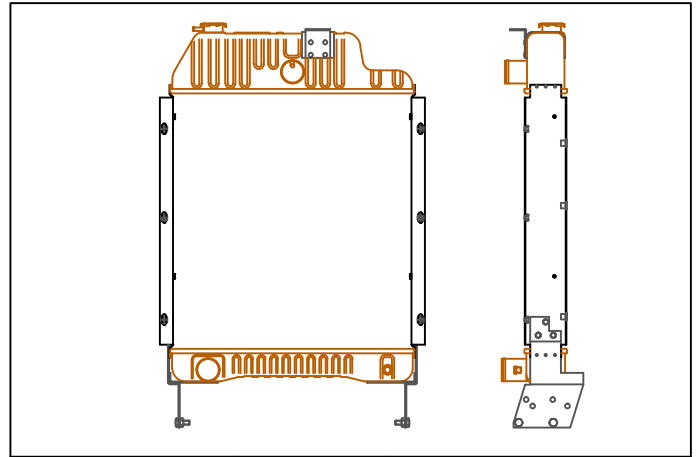
 <b>Clancy Radiators Ltd.</b>	REF No:	MF036
	MODEL No:	A-3618630M92
	CORE SIZE	465 x 530
	CORE FORM	3 Row x 8 F.P.I.




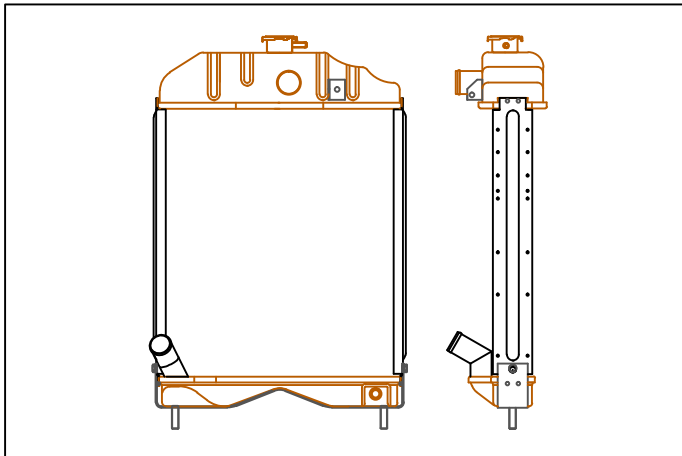
 <b>Clancy Radiators Ltd.</b>	REF No:	MF037
	MODEL No:	A-3618628M92
	CORE SIZE	505 x 530
	CORE FORM	4 Row x 8 F.P.I.




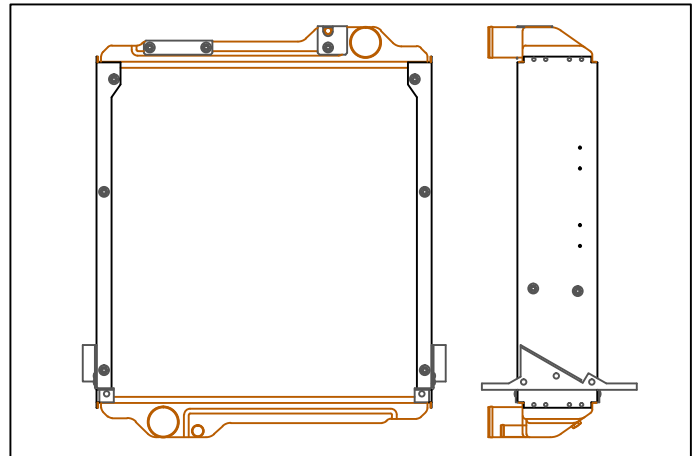
 <b>Clancy Radiators Ltd.</b>	REF No:	MF038
	MODEL No:	A-3618626M92
	CORE SIZE	535 x 530
	CORE FORM	4 Rows x 8 F.P.I.




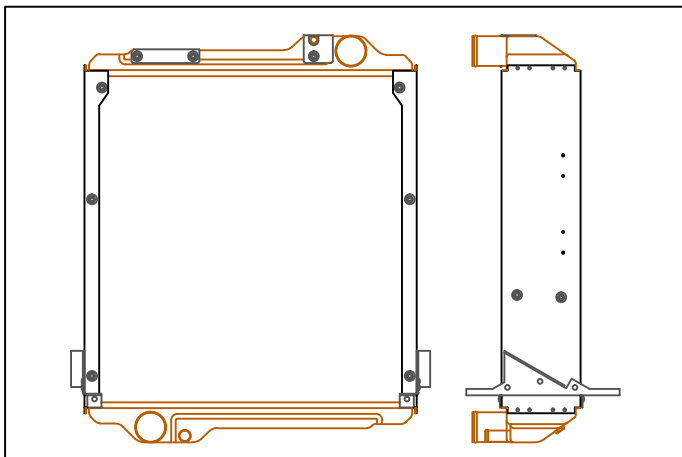
 <b>Clancy Radiators Ltd.</b>	REF No:	MF039
	MODEL No:	A-36190208M92
	CORE SIZE	575 x 530
	CORE FORM	4 Row x 8 F.P.I.




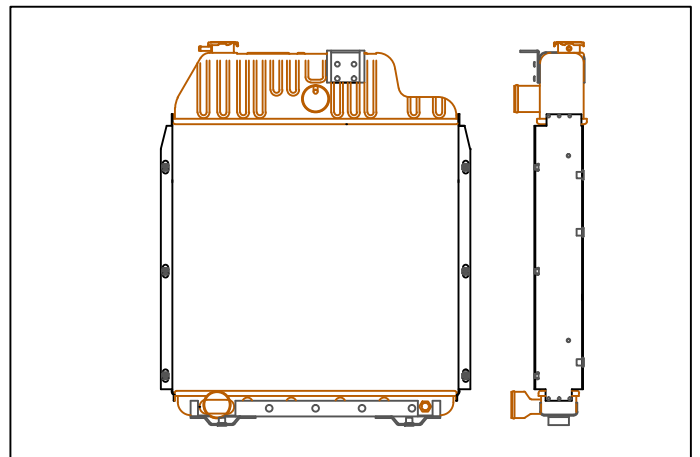
 <b>Clancy Radiators Ltd.</b>	REF No:	MF040
	MODEL No:	A-894357M92
	CORE SIZE	442 x 385
	CORE FORM	3 Row x 8 F.P.I.




 <b>Clancy Radiators Ltd.</b>	REF No:	MF041
	MODEL No:	A-3808159M2
	CORE SIZE	554 x 546
	CORE FORM	5 Row x 8 F.P.I.

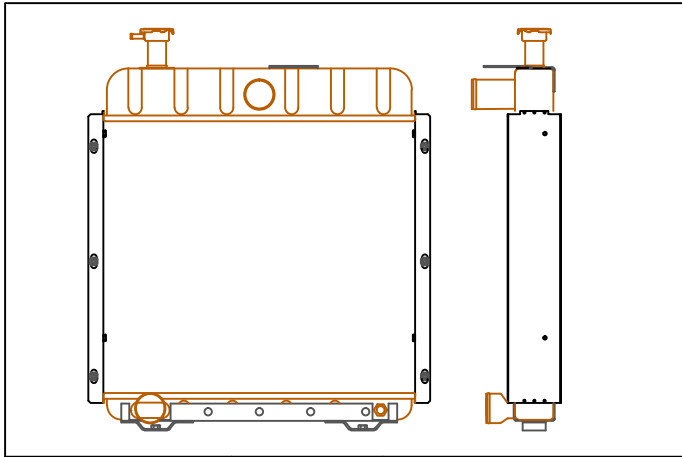



 <b>Clancy Radiators Ltd.</b>	REF No:	MF041-1
	MODEL No:	A-3810184M91
	CORE SIZE	554 x 546
	CORE FORM	5 Row x 8 F.P.I.

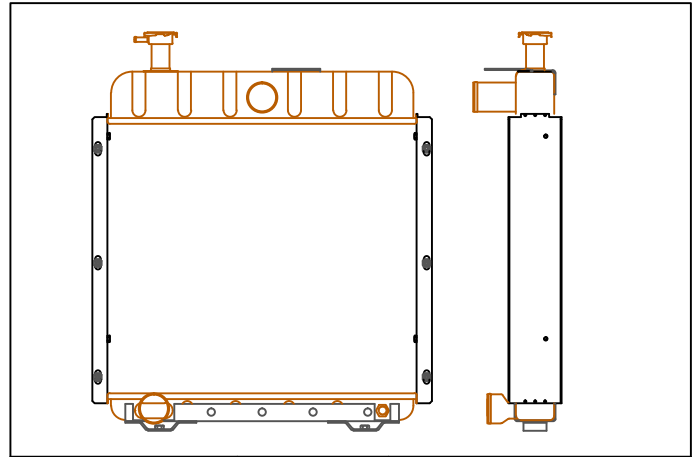



 <b>Clancy Radiators Ltd.</b>	REF No:	MF042
	MODEL No:	A-3382795M93
	CORE SIZE	512 x 540
	CORE FORM	4 Row x 8 F.P.I.

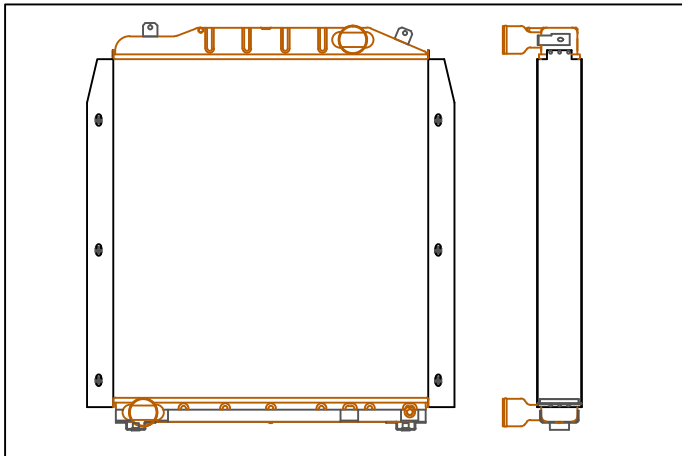





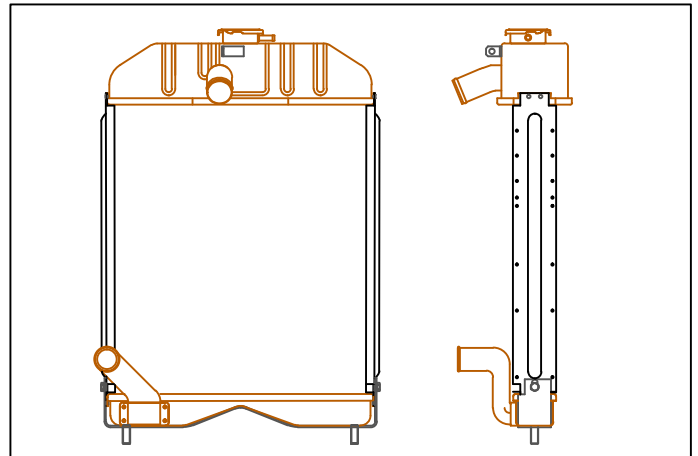
 <b>Clancy Radiators Ltd.</b>	REF No:	MF044
	MODEL No:	A-3618290M91
	CORE SIZE	473 x 530
	CORE FORM	4 Rows x 8 F.P.I.




 <b>Clancy Radiators Ltd.</b>	REF No:	MF045
	MODEL No:	A-3778285M91
	CORE SIZE	575 x 530
	CORE FORM	4 Row x 10 F.P.I.




 <b>Clancy Radiators Ltd.</b>	REF No:	MF046
	MODEL No:	A-3713181M4
	CORE SIZE	702 x 645
	CORE FORM	4 Row x 8 F.P.I.




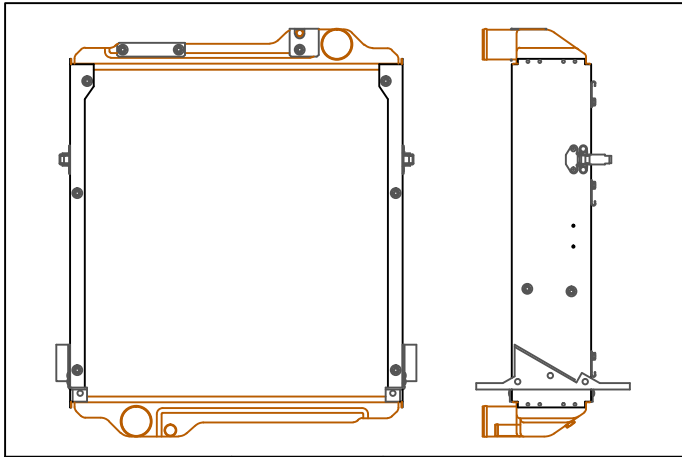
 <b>Clancy Radiators Ltd.</b>	REF No:	MF047
	MODEL No:	A-9583
	CORE SIZE	433 x 385
	CORE FORM	3 Row x 7 F.P.I.




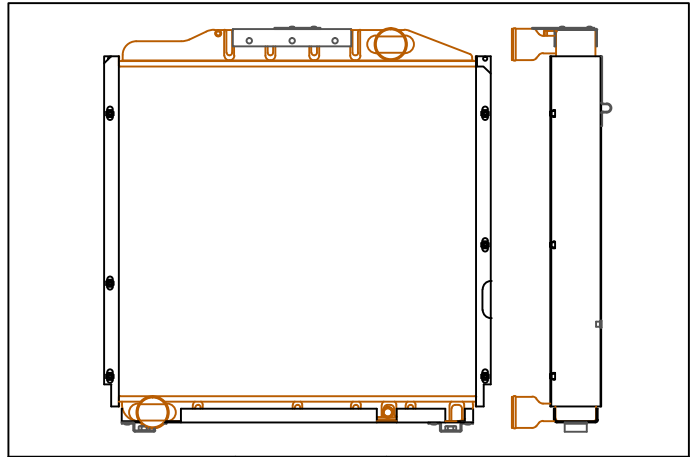
 <b>Clancy Radiators Ltd.</b>	REF No:	MF048
	MODEL No:	A-187132M91
	CORE SIZE	To be Developed
	CORE FORM	To be Developed




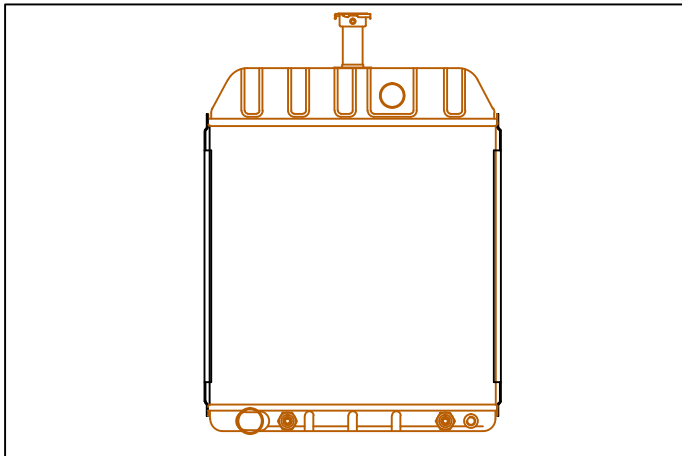
 <b>Clancy Radiators Ltd.</b>	REF No:	MF049
	MODEL No:	A-D28787272
	CORE SIZE	To be Developed
	CORE FORM	To be Developed




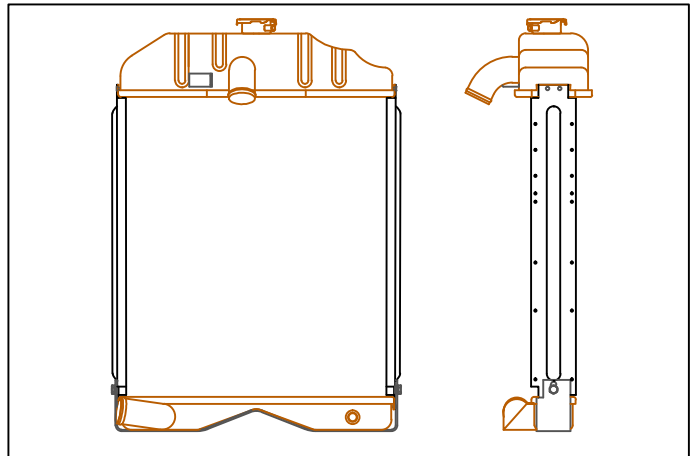
 <b>Clancy Radiators Ltd.</b>	REF No:	MF050
	MODEL No:	A-3781116M1
	CORE SIZE	554 x 546
	CORE FORM	5 Rows x 8 F.P.I.




 <b>Clancy Radiators Ltd.</b>	REF No:	MF051
	MODEL No:	A-3389731M3
	CORE SIZE	602 x 645
	CORE FORM	4 Row x 10 F.P.I.




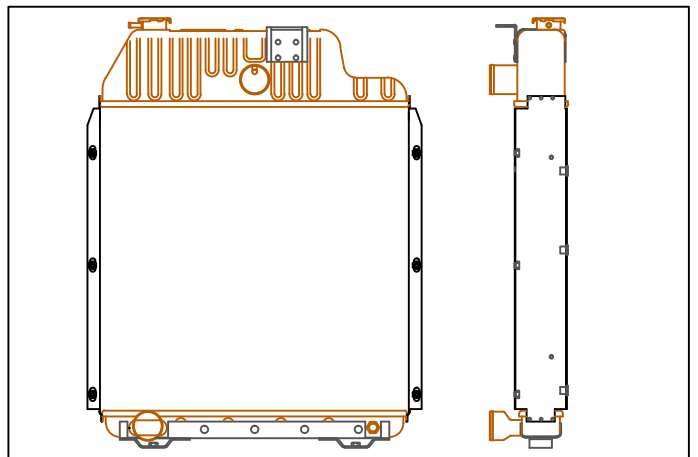
 <b>Clancy Radiators Ltd.</b>	REF No:	MF052
	MODEL No:	A-579337M92
	CORE SIZE	000 x 000
	CORE FORM	3 Row x 8 F.P.I.




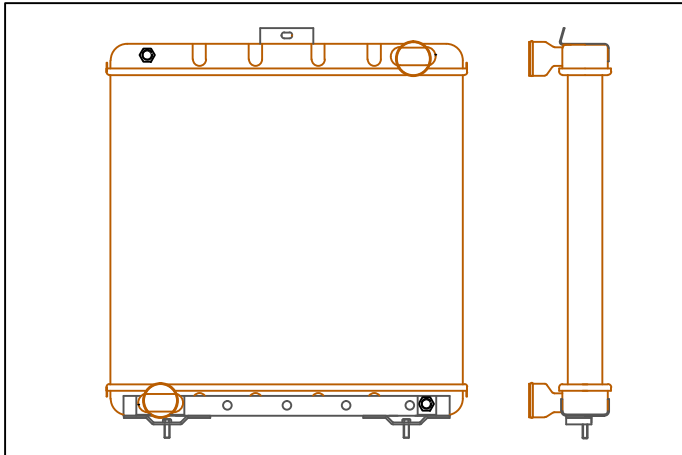
 <b>Clancy Radiators Ltd.</b>	REF No:	MF053
	MODEL No:	A-182456M91
	CORE SIZE	439 x 385
	CORE FORM	3 Row x 7 F.P.I.




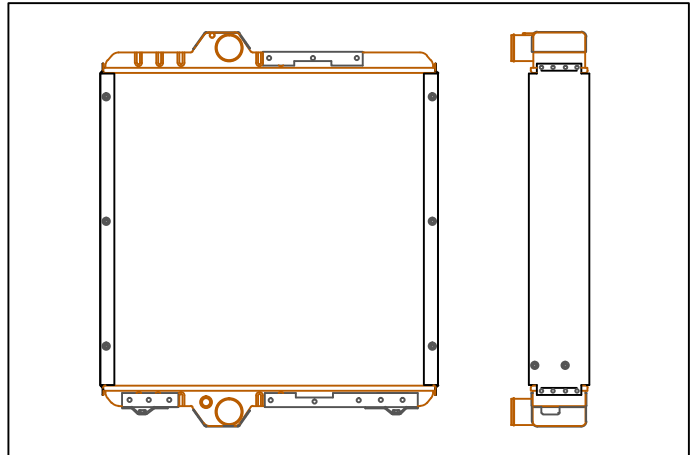
 <b>Clancy Radiators Ltd.</b>	REF No:	MF054
	MODEL No:	A-9070398M91
	CORE SIZE	To be Developed
	CORE FORM	To be Developed




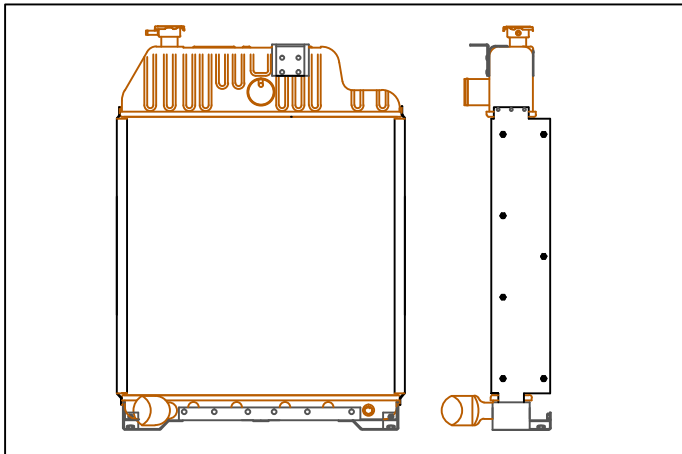
 <b>Clancy Radiators Ltd.</b>	REF No:	MF055
	MODEL No:	A-3581945M93
	CORE SIZE	541 x 540
	CORE FORM	4 Row x 10 F.P.I.




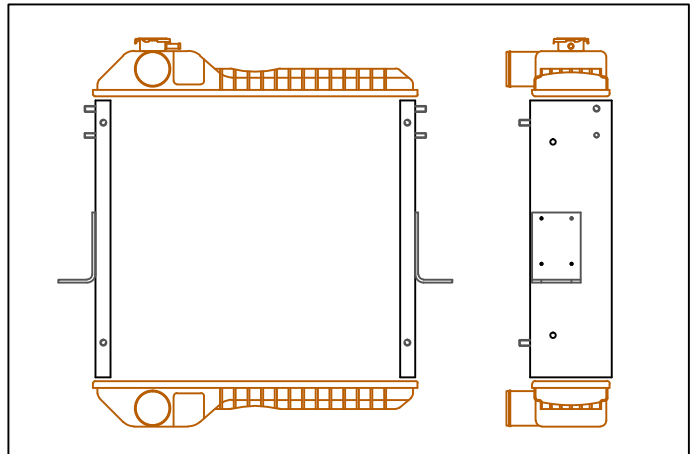
 <b>Clancy Radiators Ltd.</b>	REF No:	MF056
	MODEL No:	A-3618137M1
	CORE SIZE	465 x 530
	CORE FORM	3 Rows x 8 F.P.I.




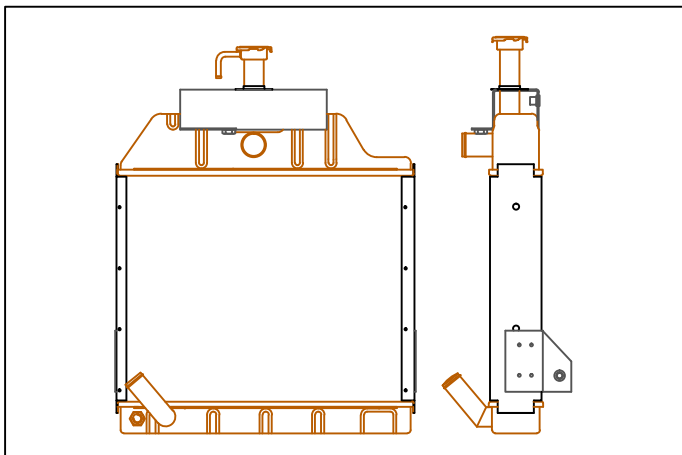
 <b>Clancy Radiators Ltd.</b>	REF No:	MF057
	MODEL No:	A-3777264M1
	CORE SIZE	690 x 720
	CORE FORM	5 Row x 8 F.P.I.




 <b>Clancy Radiators Ltd.</b>	REF No:	MF058
	MODEL No:	A-3052193M93
	CORE SIZE	543 x 530
	CORE FORM	3 Row x 8 F.P.I.




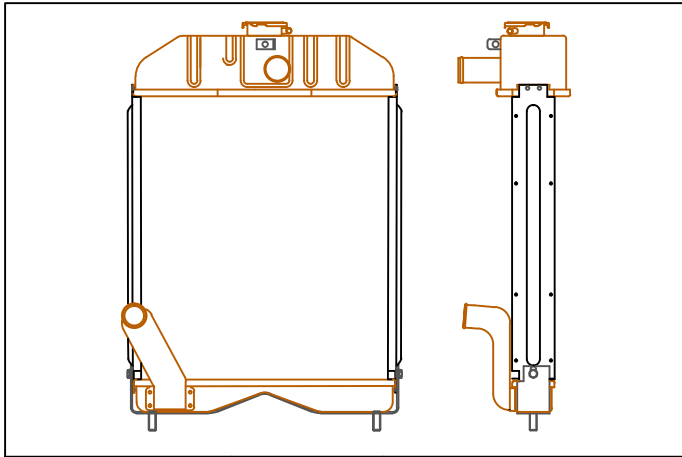
 <b>Clancy Radiators Ltd.</b>	REF No:	MF059
	MODEL No:	A-6100464M91
	CORE SIZE	To be Developed
	CORE FORM	To be Developed




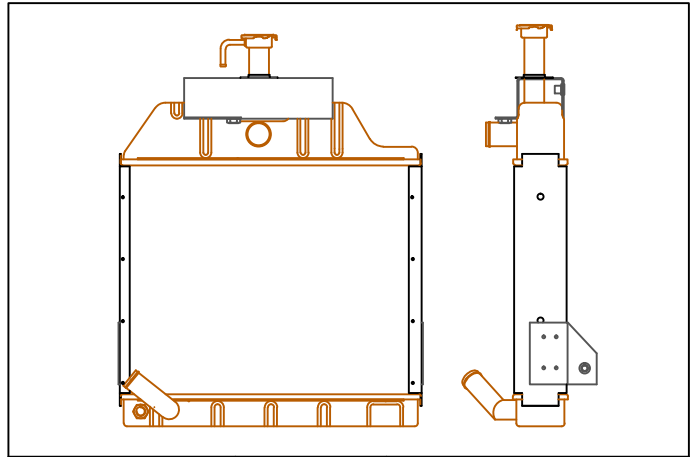
 <b>Clancy Radiators Ltd.</b>	REF No:	MF060
	MODEL No:	A-3774339M91
	CORE SIZE	370 x 742
	CORE FORM	4 Row x 7 F.P.I.




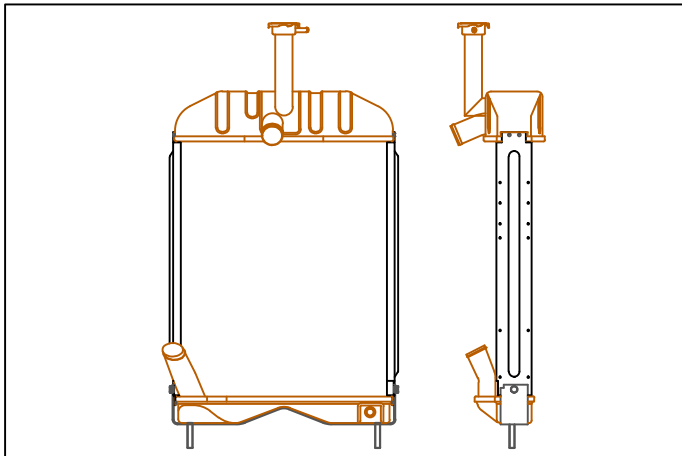
 <b>Clancy Radiators Ltd.</b>	REF No:	MF061
	MODEL No:	A-969387M91
	CORE SIZE	To be Developed
	CORE FORM	To be Developed




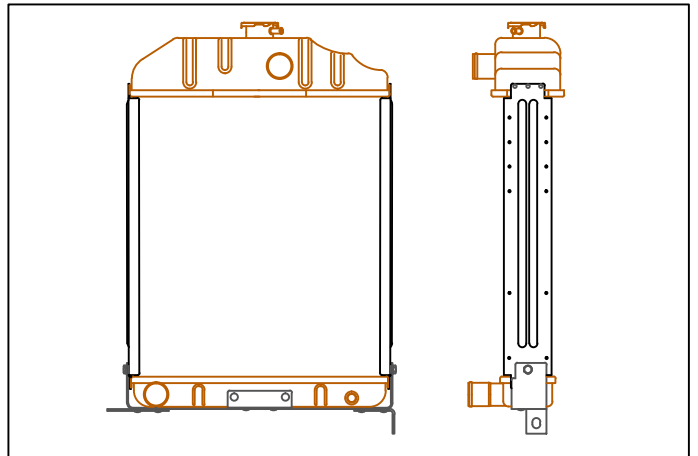
 <b>Clancy Radiators Ltd.</b>	REF No:	MF062
	MODEL No:	A-9617
	CORE SIZE	435 x 385
	CORE FORM	3 Row x 7 F.P.I.




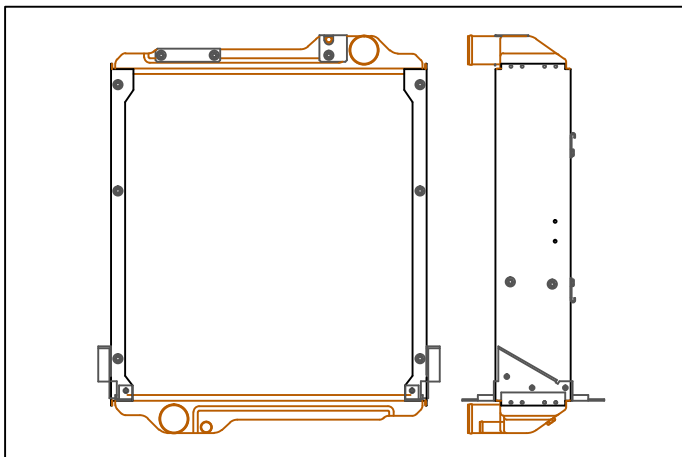
 <b>Clancy Radiators Ltd.</b>	REF No:	MF063
	MODEL No:	A-3698644M91
	CORE SIZE	370 x 472
	CORE FORM	3 Row x 7 F.P.I.




 <b>Clancy Radiators Ltd.</b>	REF No:	MF064
	MODEL No:	A-1662104M91
	CORE SIZE	470 x 385
	CORE FORM	3 Row x 8 F.P.I.




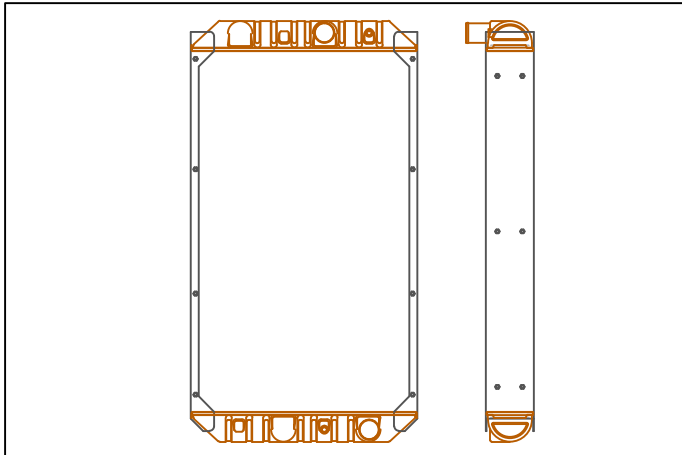
 <b>Clancy Radiators Ltd.</b>	REF No:	MF065
	MODEL No:	A-894511M91
	CORE SIZE	436 x 390
	CORE FORM	3 Row x 10 F.P.I.




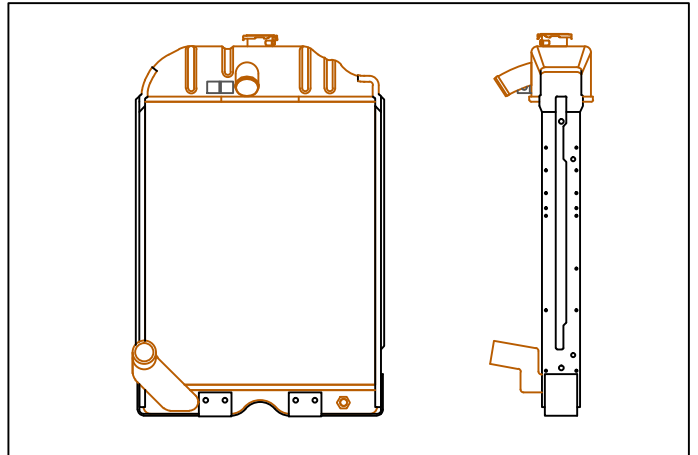
 <b>Clancy Radiators Ltd.</b>	REF No:	MF066
	MODEL No:	A-3787420M2
	CORE SIZE	574 x 546
	CORE FORM	5 Row x 8 F.P.I.




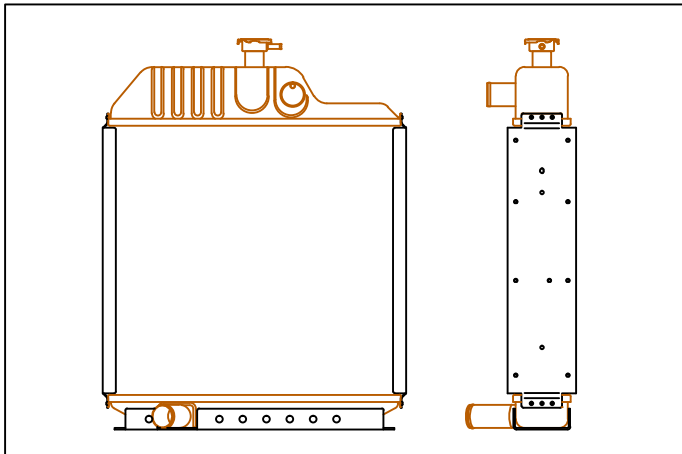
 <b>Clancy Radiators Ltd.</b>	REF No:	MF067
	MODEL No:	A-3808158M3
	CORE SIZE	To be Developed
	CORE FORM	To be Developed




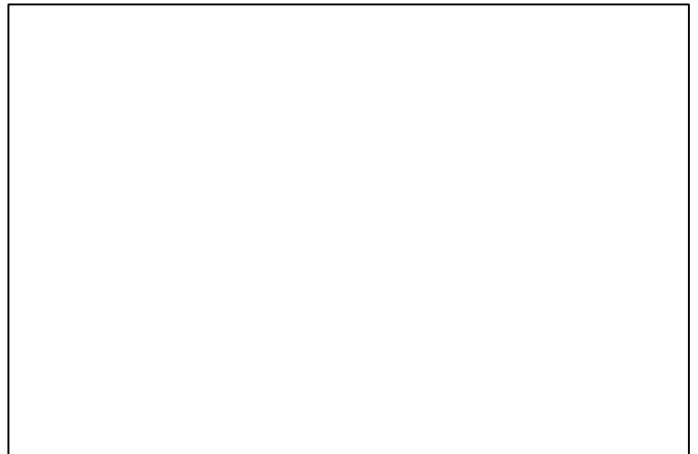
 <b>Clancy Radiators Ltd.</b>	REF No:	MF068
	MODEL No:	A-500918D1
	CORE SIZE	To be Developed
	CORE FORM	To be Developed




 <b>Clancy Radiators Ltd.</b>	REF No:	MF069
	MODEL No:	A-186732M91
	CORE SIZE	To be Developed
	CORE FORM	To be Developed




 <b>Clancy Radiators Ltd.</b>	REF No:	MF070
	MODEL No:	A-067327T1
	CORE SIZE	459 x 496
	CORE FORM	4 Row x 7 F.P.I.




 <b>Clancy Radiators Ltd.</b>	REF No:	
	MODEL No:	
	CORE SIZE	
	CORE FORM	



 <b>Clancy Radiators Ltd.</b>	REF No:	
	MODEL No:	
	CORE SIZE	
	CORE FORM	



 <b>Clancy Radiators Ltd.</b>	REF No:	
	MODEL No:	
	CORE SIZE	
	CORE FORM	