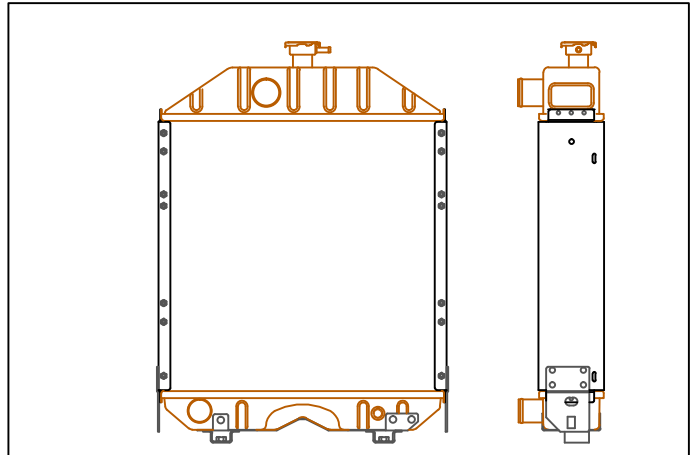

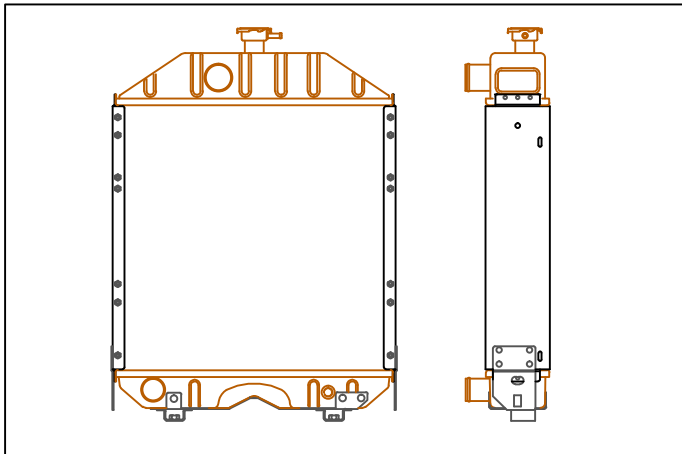

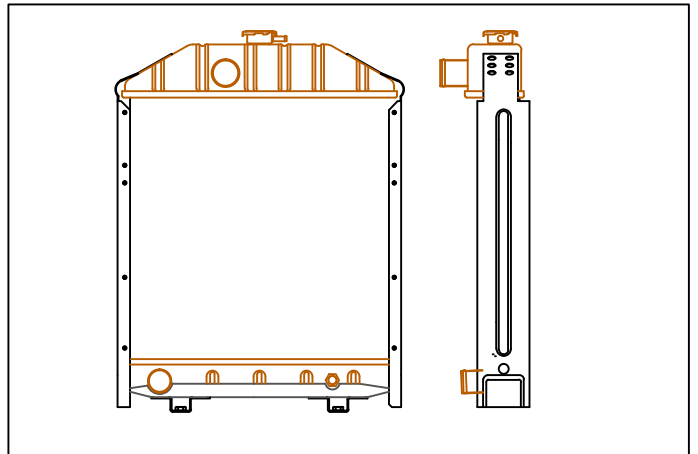
 Clancy Radiators Ltd.	REF No:	IA001
	MODEL No:	A-3651240M91
	CORE SIZE	494 x 460
	CORE FORM	3 Rows x 10 F.P.I.




 Clancy Radiators Ltd.	REF No:	IA002
	MODEL No:	A-3666234M91
	CORE SIZE	445 x 461
	CORE FORM	3 Row x 8 F.P.I.




 Clancy Radiators Ltd.	REF No:	IA002-1
	MODEL No:	as IA002 with 4 Row
	CORE SIZE	445 x 461
	CORE FORM	4 Row x 7 F.P.I.




 Clancy Radiators Ltd.	REF No:	IA003
	MODEL No:	A-1824627M93
	CORE SIZE	To be Developed
	CORE FORM	To be Developed



 Clancy Radiators Ltd.	REF No:	
	MODEL No:	
	CORE SIZE	
	CORE FORM	



 Clancy Radiators Ltd.	REF No:	
	MODEL No:	
	CORE SIZE	
	CORE FORM	