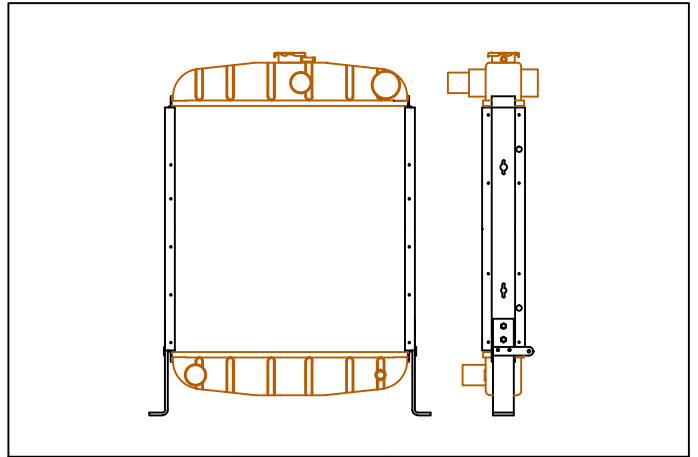

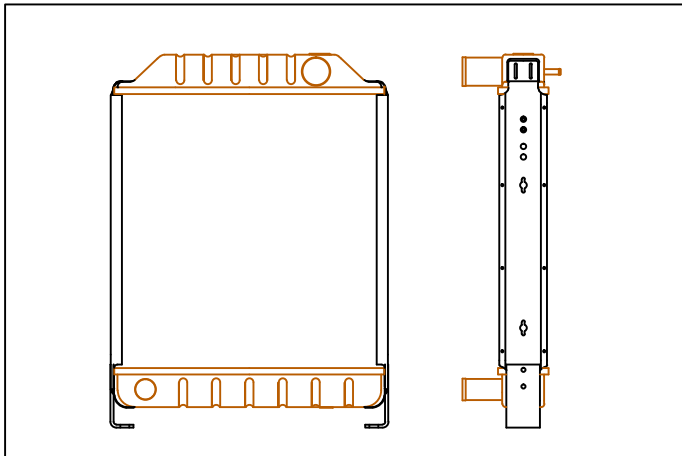

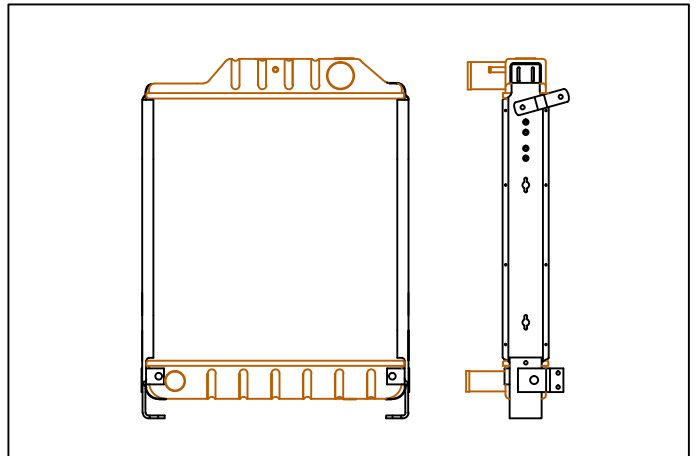
 Clancy Radiators Ltd.	REF No:	DB001
	MODEL No:	A-58124DBX
	CORE SIZE	420 x 406
	CORE FORM	3 Rows x 7 F.P.I.




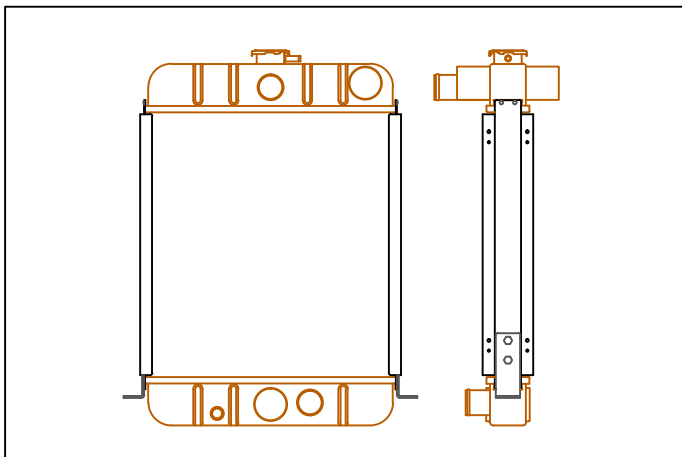
 Clancy Radiators Ltd.	REF No:	DB002
	MODEL No:	A-K922057
	CORE SIZE	457 x 434
	CORE FORM	3 Row x 8 F.P.I.




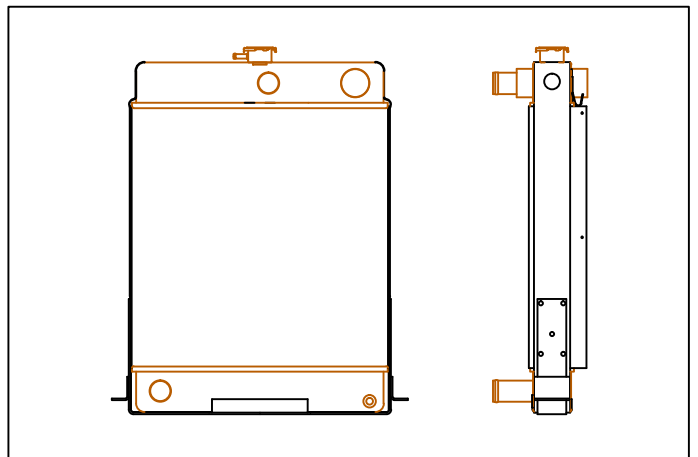
 Clancy Radiators Ltd.	REF No:	DB003
	MODEL No:	1940
	CORE SIZE	To be Developed
	CORE FORM	To be Developed




 Clancy Radiators Ltd.	REF No:	DB004
	MODEL No:	1590
	CORE SIZE	To be Developed
	CORE FORM	To be Developed



 Clancy Radiators Ltd.	REF No:	DB005
	MODEL No:	A-K922737
	CORE SIZE	405 x 372
	CORE FORM	3 Row x 8 F.P.I.



 Clancy Radiators Ltd.	REF No:	DB006
	MODEL No:	A-904635
	CORE SIZE	To be Developed
	CORE FORM	To be Developed