
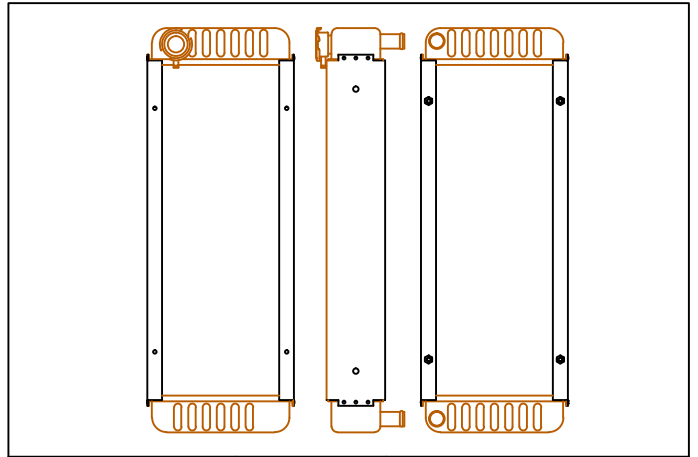

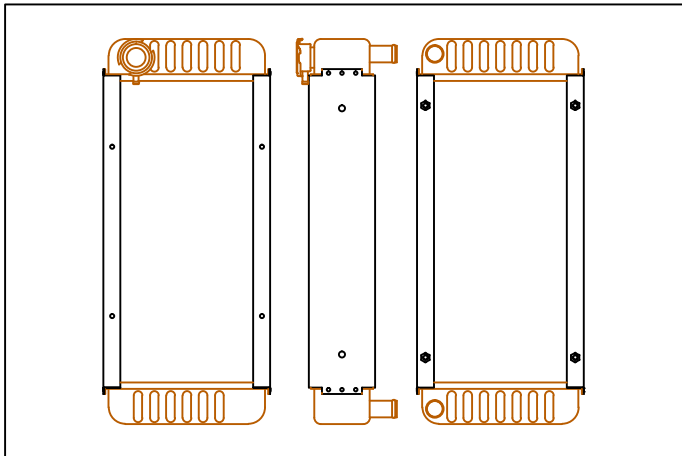



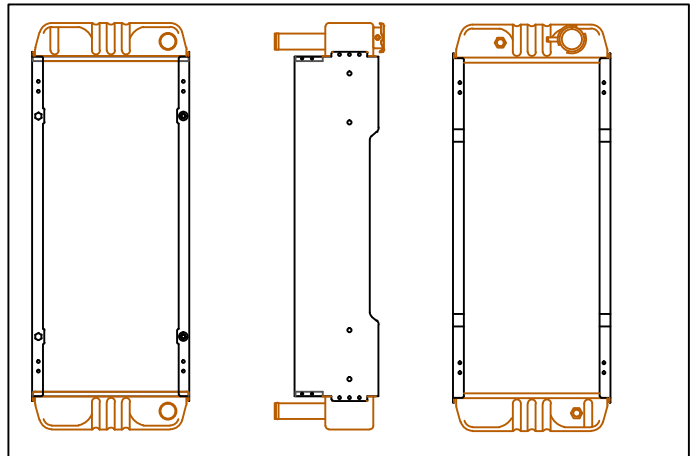
|  |           |                   |
|--|-----------|-------------------|
| <br><b>Clancy Radiators Ltd.</b> | REF No:   | BC001             |
|  | MODEL No: | A-6578683         |
|  | CORE SIZE | 477 x 236         |
|  | CORE FORM | 4 Rows x 7 F.P.I. |




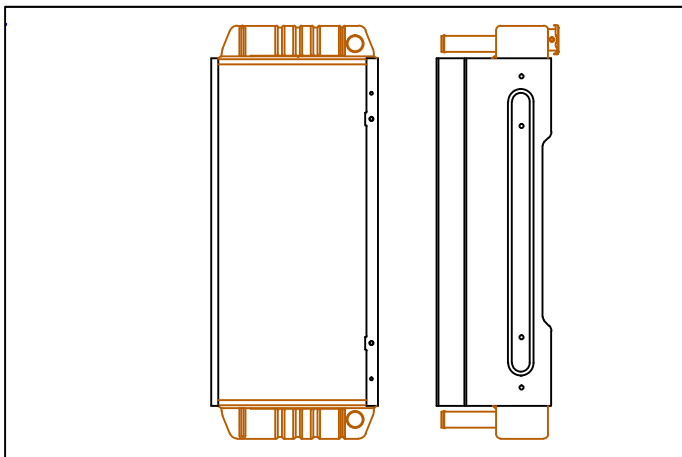
|   |           |                 |
|---|-----------|-----------------|
| <br><b>Clancy Radiators Ltd.</b> | REF No:   | BC002           |
|   | MODEL No: | A-6672455       |
|   | CORE SIZE | 577 x 236       |
|   | CORE FORM | 4 Row 10 F.P.I. |




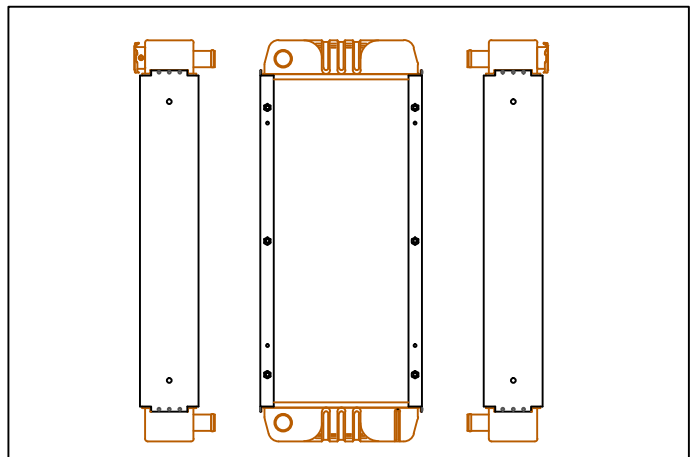
|  |           |                   |
|--|-----------|-------------------|
| <br><b>Clancy Radiators Ltd.</b> | REF No:   | BC003             |
|  | MODEL No: | A-6678670         |
|  | CORE SIZE | 463 x 236         |
|  | CORE FORM | 4 Row x 10 F.P.I. |




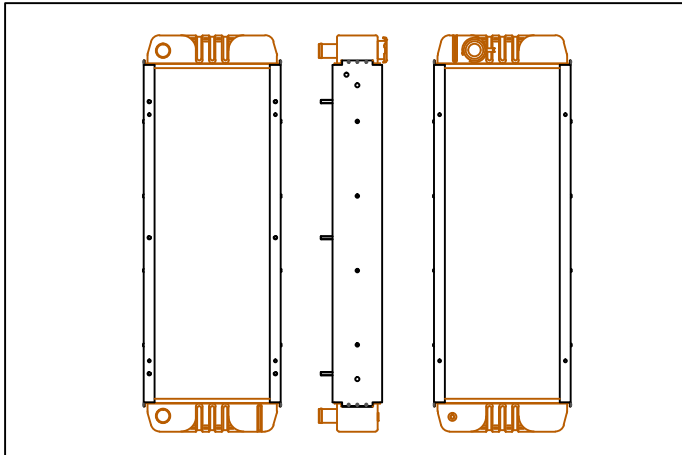
|   |           |                  |
|---|-----------|------------------|
| <br><b>Clancy Radiators Ltd.</b> | REF No:   | BC004            |
|   | MODEL No: | A-6666384        |
|   | CORE SIZE | 662 x 298        |
|   | CORE FORM | 4 Row x 8 F.P.I. |




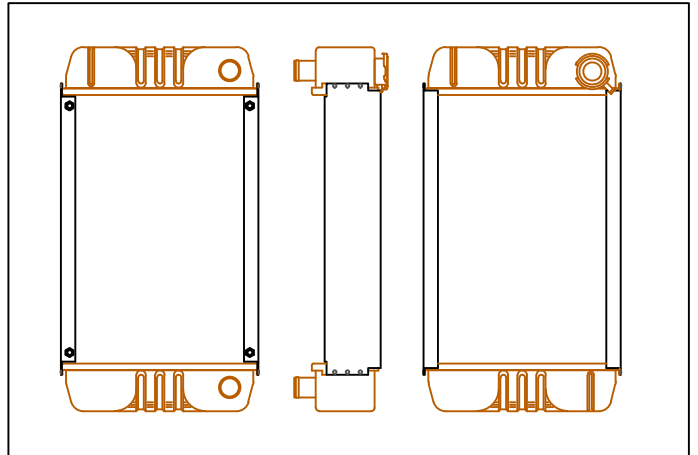
|  |           |                 |
|--|-----------|-----------------|
| <br><b>Clancy Radiators Ltd.</b> | REF No:   | BC005           |
|  | MODEL No: | A-6675266       |
|  | CORE SIZE | To be Developed |
|  | CORE FORM | To be Developed |




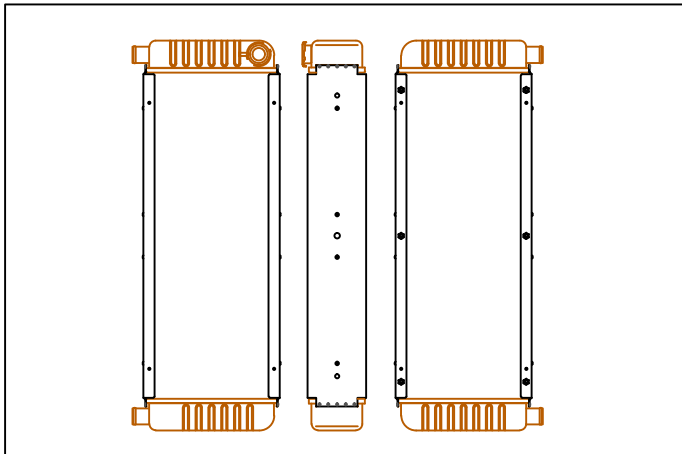
|   |           |                  |
|---|-----------|------------------|
| <br><b>Clancy Radiators Ltd.</b> | REF No:   | BC006            |
|   | MODEL No: | A-6571713        |
|   | CORE SIZE | 629 x 298        |
|   | CORE FORM | 4 Row x 7 F.P.I. |




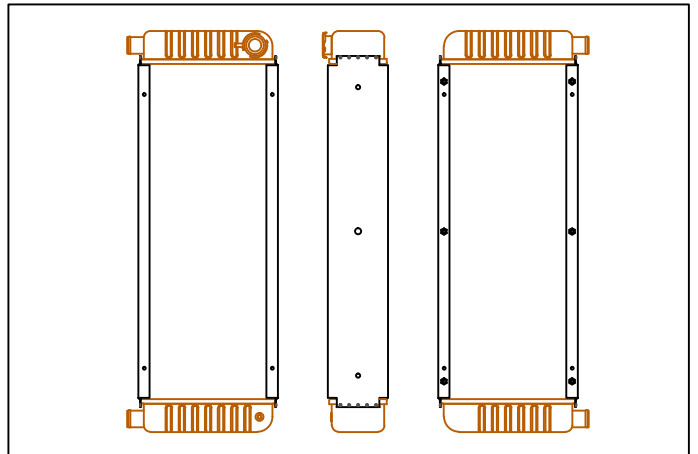
|  |           |                  |
|--|-----------|------------------|
| <br><b>Clancy Radiators Ltd.</b> | REF No:   | BC007            |
|  | MODEL No: | A-6648820        |
|  | CORE SIZE | 763 x 298        |
|  | CORE FORM | 4 Row x 7 F.P.I. |




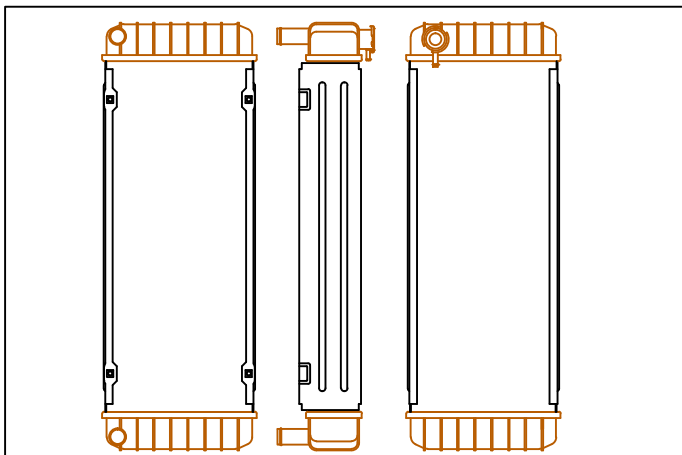
|   |           |                  |
|---|-----------|------------------|
| <br><b>Clancy Radiators Ltd.</b> | REF No:   | BC008            |
|   | MODEL No: | A-6557255        |
|   | CORE SIZE | 429 x 298        |
|   | CORE FORM | 4 Row x 7 F.P.I. |




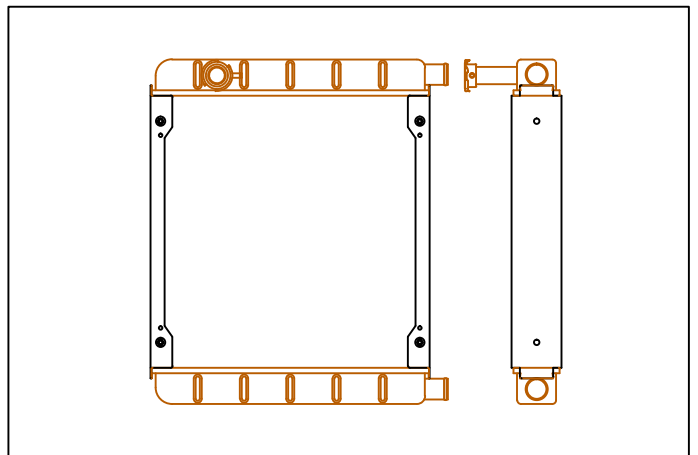
|  |           |                  |
|--|-----------|------------------|
| <br><b>Clancy Radiators Ltd.</b> | REF No:   | BC009            |
|  | MODEL No: | A-6630558        |
|  | CORE SIZE | 767 x 298        |
|  | CORE FORM | 6 Row x 7 F.P.I. |




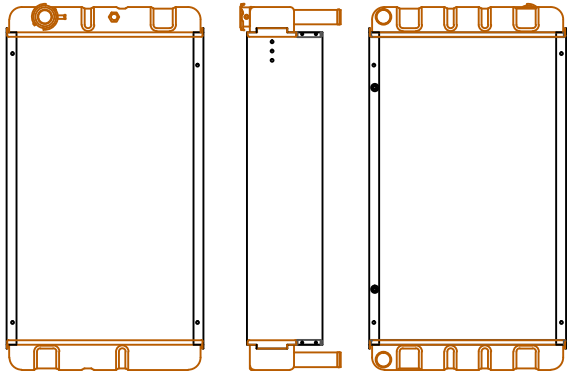
|   |           |                |
|---|-----------|----------------|
| <br><b>Clancy Radiators Ltd.</b> | REF No:   | BC010          |
|   | MODEL No: | A-6648799      |
|   | CORE SIZE | 767 x 298      |
|   | CORE FORM | 5 Row 7 F.P.I. |




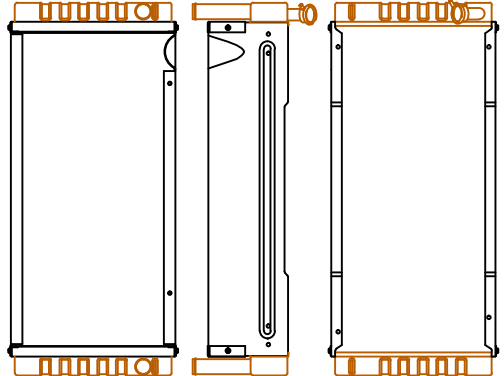
|  |           |                 |
|--|-----------|-----------------|
| <br><b>Clancy Radiators Ltd.</b> | REF No:   | BC011           |
|  | MODEL No: | A-6678820       |
|  | CORE SIZE | To be Developed |
|  | CORE FORM | To be Developed |




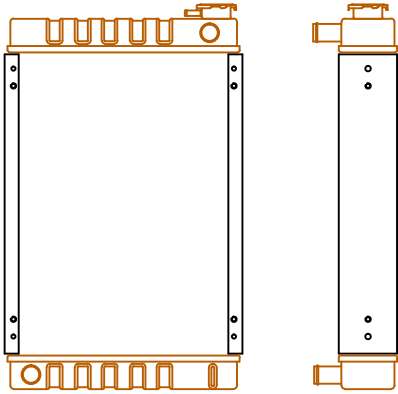
|   |           |                  |
|---|-----------|------------------|
| <br><b>Clancy Radiators Ltd.</b> | REF No:   | BC012            |
|   | MODEL No: | A-6660004        |
|   | CORE SIZE | 500 x 461        |
|   | CORE FORM | 3 Row x 7 F.P.I. |




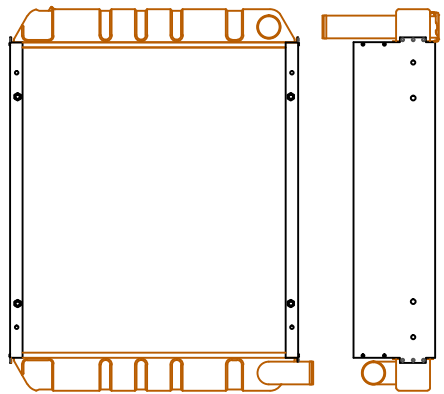
|  |           |                   |
|--|-----------|-------------------|
| <br><b>Clancy Radiators Ltd.</b> | REF No:   | BC013             |
|  | MODEL No: | A-6579535         |
|  | CORE SIZE | 663 x 410         |
|  | CORE FORM | 4 Rows x 5 F.P.I. |




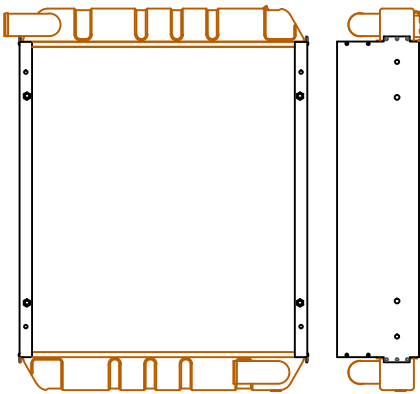
|   |           |                 |
|---|-----------|-----------------|
| <br><b>Clancy Radiators Ltd.</b> | REF No:   | BC014           |
|   | MODEL No: | A-6718648       |
|   | CORE SIZE | To be Developed |
|   | CORE FORM | To be Developed |




|  |           |                 |
|--|-----------|-----------------|
| <br><b>Clancy Radiators Ltd.</b> | REF No:   | BC015           |
|  | MODEL No: | A-6679061       |
|  | CORE SIZE | To be Developed |
|  | CORE FORM | To be Developed |




|   |           |                   |
|---|-----------|-------------------|
| <br><b>Clancy Radiators Ltd.</b> | REF No:   | BC016             |
|   | MODEL No: | A-6673711         |
|   | CORE SIZE | 600 x 546         |
|   | CORE FORM | 4 Row x 10 F.P.I. |



|  |           |                   |
|--|-----------|-------------------|
| <br><b>Clancy Radiators Ltd.</b> | REF No:   | BC017             |
|  | MODEL No: | A-6674691         |
|  | CORE SIZE | 600 x 546         |
|  | CORE FORM | 4 Row x 10 F.P.I. |



|   |           |  |
|---|-----------|--|
| <br><b>Clancy Radiators Ltd.</b> | REF No:   |  |
|   | MODEL No: |  |
|   | CORE SIZE |  |
|   | CORE FORM |  |